

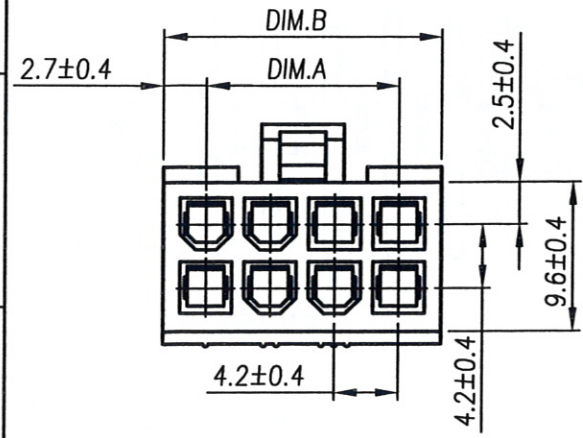
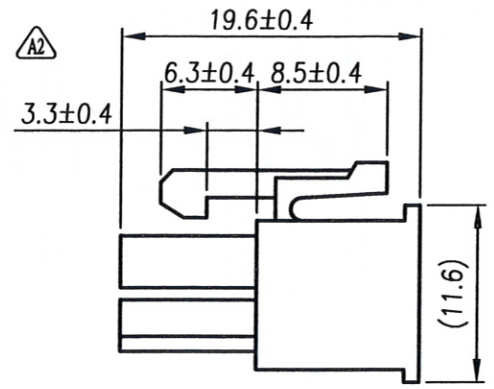
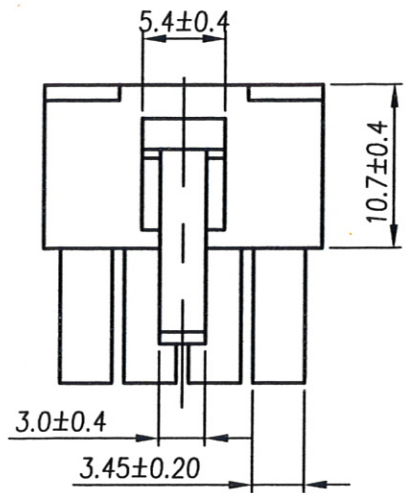
1 | 2 | 3 | 4 | 5 | 6 | 7 | 8

**RoHS Compliant**

REV	MODIFICATION	DATE	DRAW
A0	Release To Product	2011.08.22	Seven
A1	Release To ECN20130307	2013.03.27	Seven
A2	Release To ECN20150302	2015.03.09	Michelle

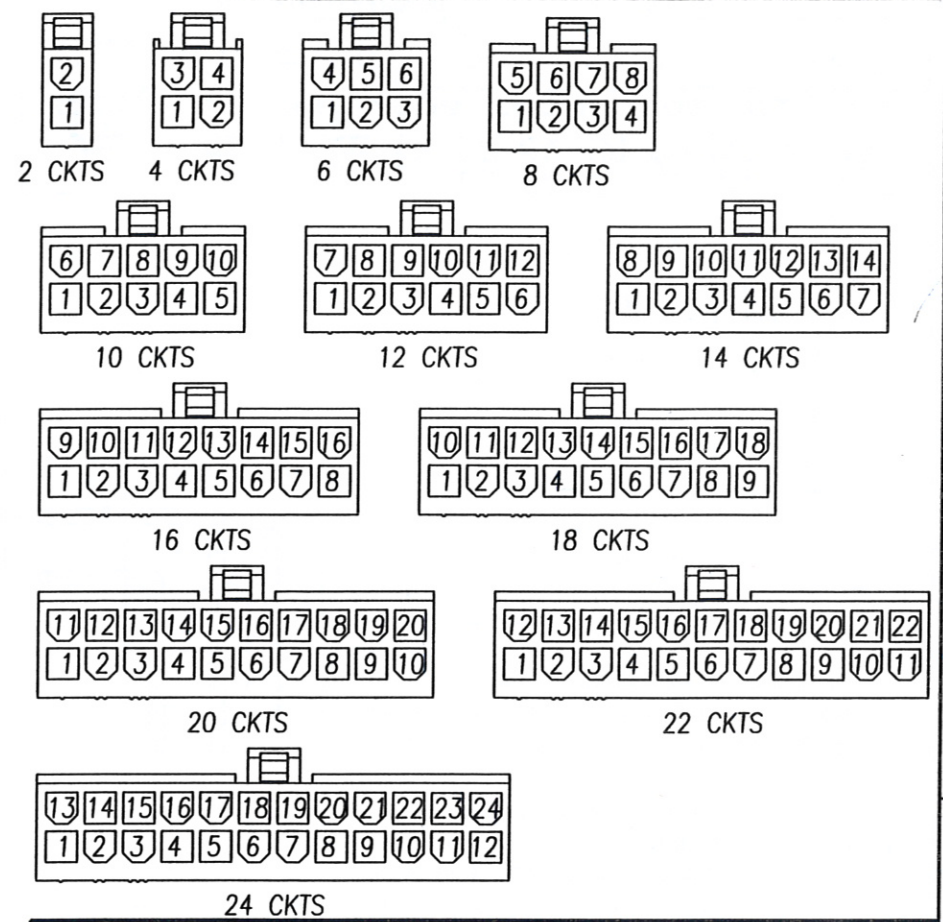
**Specification**  
 1.Current Rating:9A AC/DC  
 2.Voltage Rating:600V AC/DC  
 3.Insulation Resistance:1000MΩ Min.  
 4.Withstand Voltage:1500V AC/Minute  
 5.Operating Temperature:-40°C~+105°C

**Material:**  
 1.Housing:Thermoplastic UL94V-0 Or UL94V-2  
**Finish:**  
 1.Housing:See P/N Option  
 Part No.: BC01212 XX X X B D  
 Number of Pin 02~24 Packing B:Bag  
 Housing Material 0:NY66 UL94V-2 Housing Color 1:Nature 2:White  
 1:NY66 UL94V-0 2:White



02~12P DIM.A±0.20, DIM.B±0.30  
 14~24P DIM.A±0.30, DIM.B±0.40

PIN	DIM.A	DIM.B	PIN	DIM.A	DIM.B	PIN	DIM.A	DIM.B
02		5.6	10	16.8	22.4	18	33.6	39.2
04	4.2	9.8	12	21.0	26.6	20	37.8	43.4
06	8.4	14.0	14	25.2	30.8	22	42.0	47.6
08	12.6	18.2	16	29.4	35.0	24	46.2	51.8



**金上達科技股份有限公司**  
**GOLDENSUNDA TECHNOLOGY CO.,LTD**

TOLERANCE UNLESS OTHERWISE SPECIFIED

.x± 0.35	x.* 2'	APR. C.F.Liao 20150309	TITLE: Wire To Board Housing 4.20mm Dual Row
.xx± 0.25	.x.* 1'	CHK. Abel 20150309	PART NO. BC01212XXXXBD DWG NO. BC01212XXXXBD
.xxx± 0.15	.xx.* 0.5'	DRAW. Michelle 20150309	UNITS: mm CUSTOMER DRAWING

SIZE: A4 SCALE 2:1 SHEET 1 / 1 REV A2 V

1 | 2 | 3 | 4 | 5 | 6 | 7 | 8