

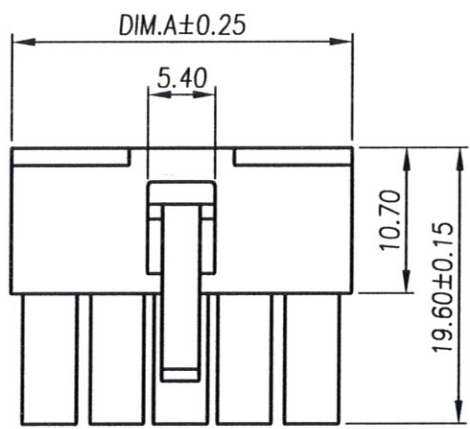
1 2 3 4 5 6 7 8



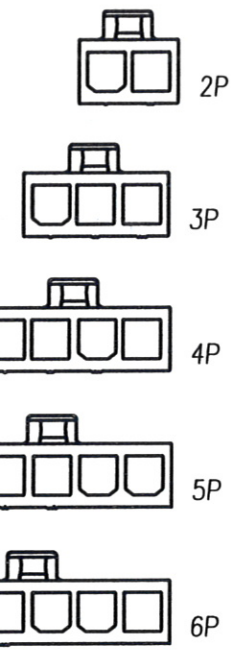
RoHS Compliant

REV	MODIFICATION	DATE	DRAW
A0	Release To Product	2009.11.11	AJ
A1	Release To ECN20130307	2013.03.27	Seven

A

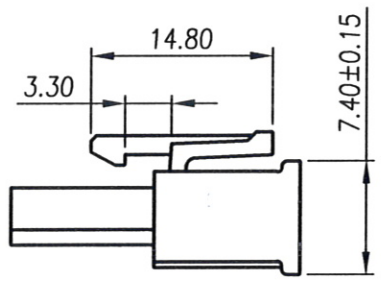
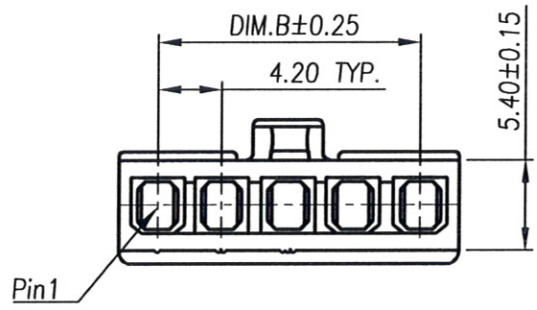


PIN	DIM.A	DIM.B
02	9.6	4.2
03	13.8	8.4
04	18.0	12.6
05	22.2	16.8
06	26.4	21.0



B

C



D

E

Specification
 1.Current Rating:9A AC/DC
 2.Voltage Rating:600V AC/DC
 3.Contact Resistance:10mΩ Max.
 4.Insulation Resistance:1000MΩ Min.
 5.Withstand Voltage:1500V AC/Minute
 6.Operating Temperature:-25°C~+85°C

Part No.: BC01112 XX 0 4 B D
 Number of Pin ———— Packing
 02~06 ———— B:Bag
 Housing Material ———— Housing Color
 0:NY66 UL94V-2 ———— 4:Transparent White

Material:
 1.Housing:Thermoplastic UL94V-2
Finish:
 1.Housing:Transparent White

		金上達科技股份有限公司 GOLDENSUND TECHNOLOGY CO.,LTD			
		TITLE: Mini Fin 4.20mm Housing Singel Row			
TOLERANCE UNLESS OTHERWISE SPECIFIED		PROJ.		PART NO. BC01112XX04BD	
.x± 0.35	x.'± 2'	APR. Jay 20130327		DWG NO. BC01112XX04BD	
.xx± 0.25	.x'± 1'	CHK. Michelle 20130327		CUSTOMER DRAWING	
.xxx± 0.15	.xx'± 0.5'	DRA. Seven 20130327		UNITS: mm	SCALE 3:1
		SIZE: A4		SHEET 1 / 1	REV A1

A

B

C

D

E

F

1 2 3 4 5 6 7 8