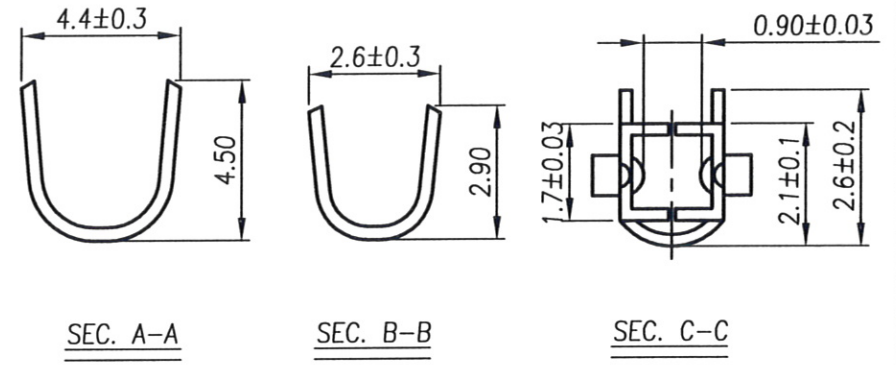


REV	MODIFICATION	DATE	DRAW
A0	Release To Product	2010.05.14	AJ
A1	Release To ECN20130313	2013.03.29	Seven

RoHS Compliant



Specifications & Ordering Information:

Part No	Thickness	Material	Wire Range	Insulation O.D.
CC0110000B1A5	0.20mm	Brass	AWG #16	3.10mm

Finish	Qty/reel	Use With(Housing)
BRIGH TIN	5,000PCS	BC01112XX04BD

金上達科技股份有限公司
GOLDENSUNDA TECHNOLOGY CO.,LTD

TOLERANCE UNLESS OTHERWISE SPECIFIED

.x± 0.35	.x'± 2'	APR. Jay 20130329	PART NO. CC0110000B1A5	DWG NO. CC0110000B1A5
.xx± 0.25	.x'± 1'	CHK. Michelle 20130329	UNITS: mm	CUSTOMER DRAWING
.xxx± 0.15	.xx'± 0.5'	DRA. Seven 20130329	SIZE: A4	

PROJ. TITLE: Wire To Board Terminal 4.20mm Female

SCALE 6:1 SHEET 1 / 1 REV A1 V