

RoHS Compliant



REV	MODIFICATION	DATE	DRAW
A0	Release To MA20130402	2013.04.10	Michelle

Specification

- 1.Current Rating:5A
- 2.Voltage Rating:250V AC/DC
- 3.Contact Resistance:20mΩ Max.
- 4.Insulation Resistance:1000MΩ Min. At DC 500V
- 5.Dielectric Withstanding Voltage:AC1500V/Minute
- 6.Operating Temperature:-25℃~+85℃

Material:

- 1.Housing:Thermoplastic UL94V-2
 - 2.Contact Pin:Copper Alloy SQ PIN=1.14mm
- Finish:

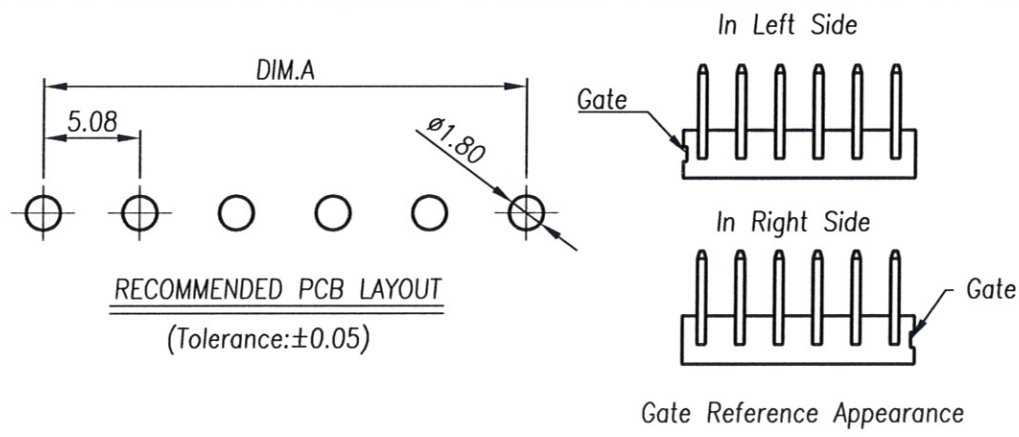
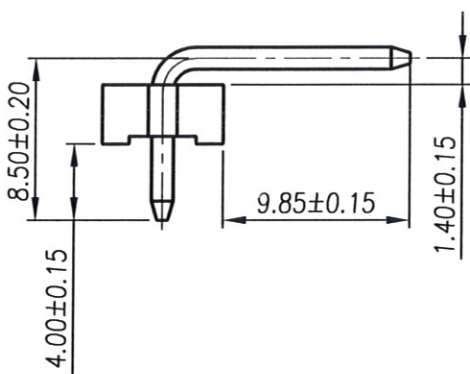
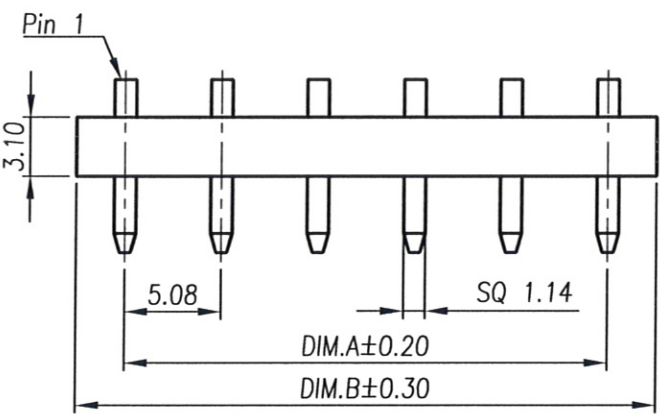
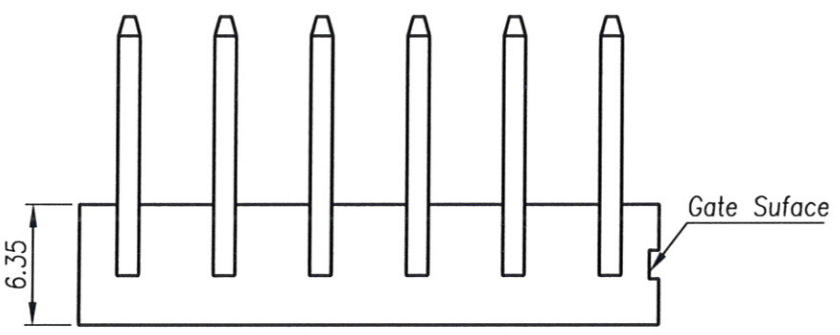
- 1.Housing:Natural
- 2.Contact Pin:Bright Tin Plated Over Nickel.


Part No.: AD001A2 XX 0 1 5 2

Number of Pin 02~10 Packing 5:Bag

Housing Material 0:NY66 UL94V-2 Natural Plating 1:Bright Tin Plated Over Nickel.

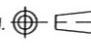
PIN	DIM.A	DIM.B	PIN	DIM.A	DIM.B
02	5.08	10.16	07	30.48	35.56
03	10.16	15.24	08	35.56	40.64
04	15.24	20.32	09	40.64	45.72
05	20.32	25.40	10	45.72	50.80
06	25.40	30.48			





金上達科技股份有限公司

GOLDENSUNDA TECHNOLOGY CO.,LTD

TOLERANCE UNLESS OTHERWISE SPECIFIED		PROJ. 	TITLE: Wire To Board Wafer 5.08mm 90° DIP		
.x± 0.35	x: ± 2'	APR. Jay 20130410	PART NO. AD001A2XX0152	DWG NO. AD001A2XX0152	
.xx± 0.25	.x: ± 1'	CHK. Seven 20130410	UNITS: mm	CUSTOMER DRAWING	
.xxx± 0.15	.xx: ± 0.5'	DRA. Michelle 20130410	SIZE: A4	SCALE 2.5:1	SHEET 1 / 1
			REV A0	V	