

發行
104.6.09
文管中心

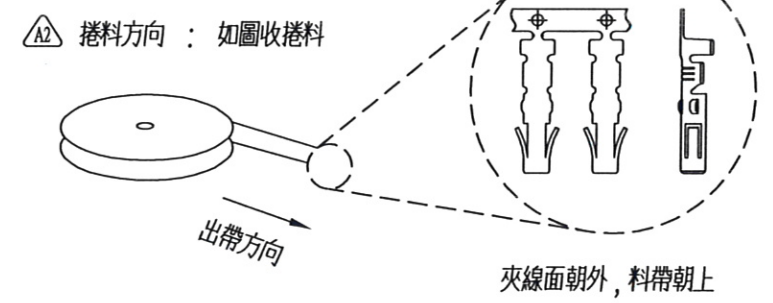
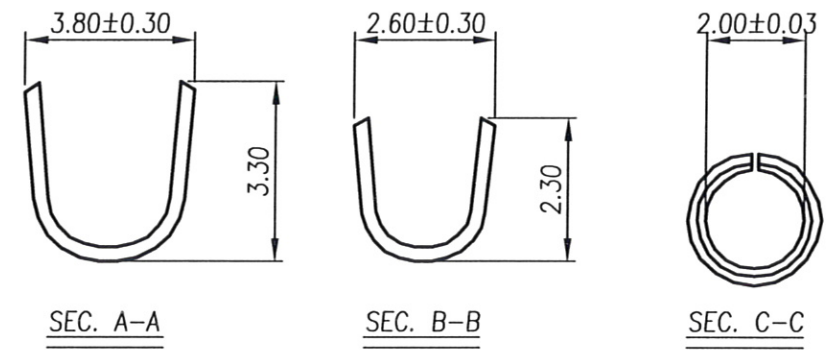
Specifications & Order Information:

Part No	Thickness	Material	Wire Range	Insulation O.D.
CC0050000B1AM	0.30mm	Brass	AWG #18~20	2.80~2.55mm

Finish	Qty/reel	Mates With(Housing)
BRIGH TIN	7,000PCS	BC005000401B2

REV	MODIFICATION	DATE	DRAW
A0	Release To Product	2011.07.12	Seven
A1	Release To ECN20130313	2013.03.29	Seven
A2	Release To ECN20150605	2015.06.09	Michelle

RoHS Compliant



金上達科技股份有限公司
GOLDENSUNDA TECHNOLOGY CO.,LTD

TOLERANCE UNLESS OTHERWISE SPECIFIED		PROJ.	TITLE: Wire To Board & Wire Terminal 5.08mm Female	
.x± 0.35	x.'± 2'	APR. C.F.Liao 20150609	PART NO. CC0050000B1AM	DWG NO. CC0050000B1AM
.xx± 0.25	.x'± 1'	CHK. Abel 20150609	UNITS: mm	CUSTOMER DRAWING
.xxx± 0.15	.xx'± 0.5'	DRA. Michelle 20150609	SIZE: A4	SCALE 5:1
		SHEET 1 / 1		REV A2 V