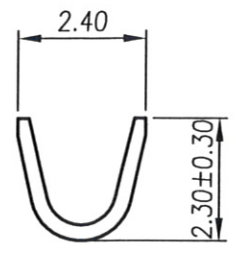
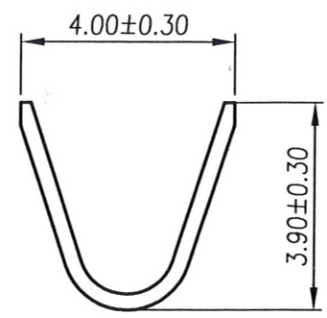
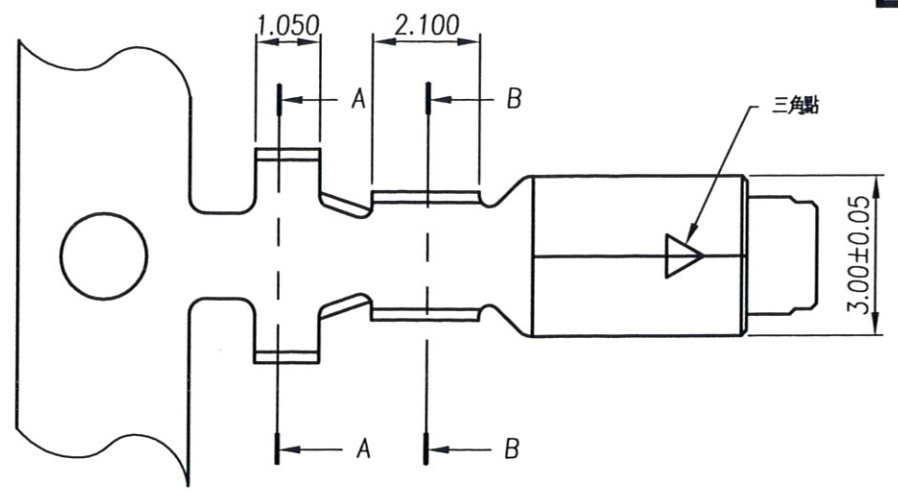


1 2 3 4 5 6 7 8

RoHS Compliant

REV	MODIFICATION	DATE	DRAW
A0	Release To Production	2009.09.04	Abel
A1	Release To ECN20120512	2012.05.31	Seven
A2	Release To ECN20150707	2015.07.22	Michelle

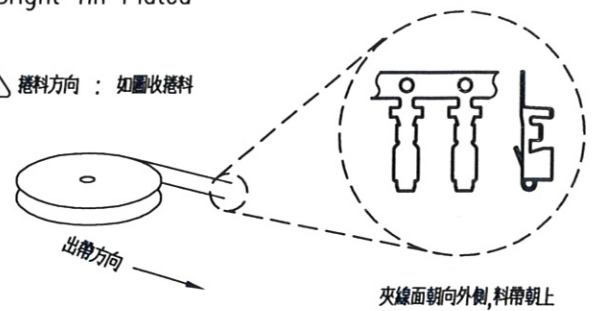


SEC. A-A

SEC. B-B

A2 Part No.: CC0220000B 1 A5
Plating
1: Bright Tin Plated

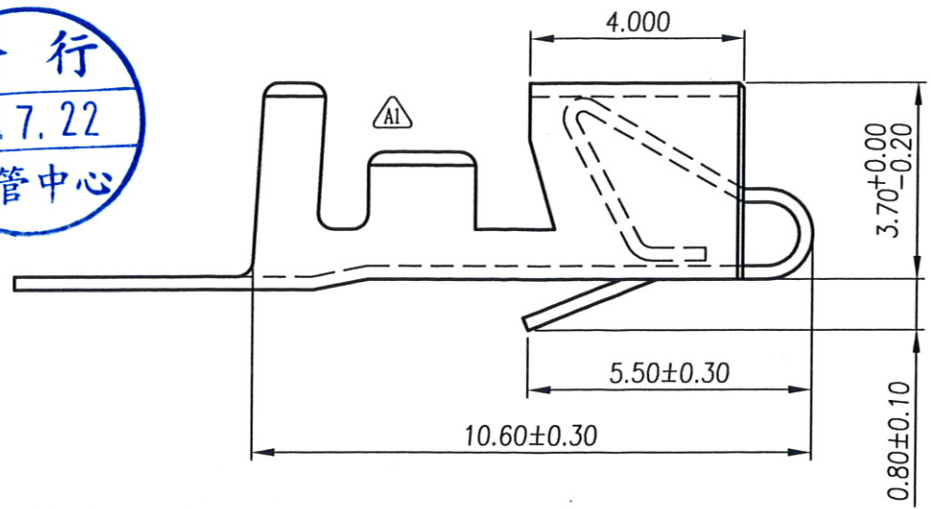
A2 捲料方向：如圖收捲料



A
B
C
D
E
F


A
B
C
D
E
F

發行
104.7.22
文管中心



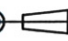
Specifications & Order Information: **A2**

P/N	Thickness	Material	Wire Range	Insulation O.D.
CC0220000B1A5	0.25mm	BRASS	AWG #18~22	3.7~1.5mm Max.
Finish	Q'ty/Reel	Mates With (Housing)		
BRIGH TIN	4,000pcs	BC02200XX11B2		



金上達科技股份有限公司

GOLDENSUNDA TECHNOLOGY CO.,LTD

TOLERANCE UNLESS OTHERWISE SPECIFIED		PROJ. 	TITLE: Wire To Board Terminal 3.96mm				
.x± 0.35	x.± 2'	APR. C.F.Liao 20150722	PART NO. CC0220000B1A5	DWG NO. CC0220000B1A5			
.xx± 0.25	.x± 1'	CHK. Abel 20150722	UNITS: mm	CUSTOMER DRAWING			
.xxx± 0.15	.xx± 0.5'	DRA. Michelle 20150722	SIZE: A4			SCALE Free	SHEET 1 / 1

1 2 3 4 5 6 7 8