

PIN	DIM.A	DIM.B	DIM.C	PIN	DIM.A	DIM.B	DIM.C
02		6.65		14	18.00	24.65	13.70
04	3.00	9.65		16	21.00	27.65	16.70
06	6.00	12.65		18	24.00	30.65	19.70
08	9.00	15.65	4.70	20	27.00	33.65	22.70
10	12.00	18.65	7.70	22	30.00	36.65	25.70
12	15.00	21.65	10.70	24	33.00	39.65	28.70

REV	MODIFICATION	DATE	DRAW
A0	Release To MA20150501	2015.05.05	Michelle

RoHS Compliant

Specification
 1. Current Rating: See Note 1
 2. Voltage Rating: 250V AC/DC
 3. Contact Resistance: 10mΩ Max.
 4. Insulation Resistance: 1000MΩ Min. At 500V
 5. Dielectric Withstanding Voltage: AC1500V/Minute
 6. Operating Temperature: -25°C ~ +85°C

Material:
 1. Housing: High Temperature Thermoplastic UL94V-0
 2. Contact Pin: Copper Alloy SQ. Pin 0.64mm

Finish:
 1. Housing: Black
 2. Contact Pin: Bright Tin Plated Over Nickel

Part No.: ADO3103 XX I 1 5 Q

No. Of Pin	}	}	}
02~24			
Housing Material	}	}	}
I: NY6T UL94V-0 Black			
Packing	}	}	}
5: Bag			
Plating	}	}	}
1: Bright Tin Plated Over Nickel			



Note 1: Wire Size And Current Rating

Wire Size	#20	#22	#24	#26	#28	#30
Ampere	5A	5A	4A	3A	2A	1A

金上達科技股份有限公司
GOLDENSUNDA TECHNOLOGY CO., LTD

TOLERANCE UNLESS OTHERWISE SPECIFIED

PROJ.

TITLE: Wire To Board Wafer 3.00mm 90° DIP Dual Row

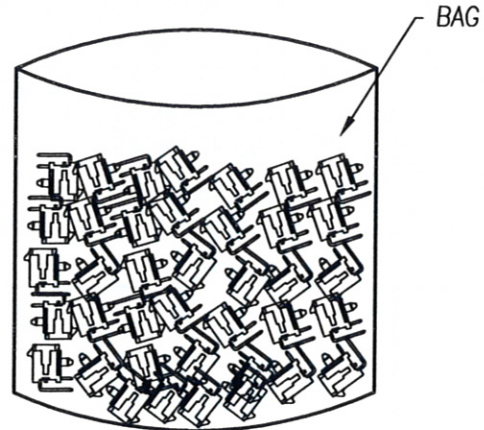
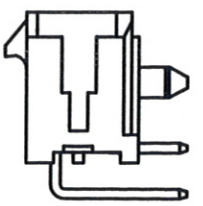
.x± 0.35	x.± 2'	APR. C.F.Liao 20150505	PART NO. AD03103XXI15Q	DWG NO. AD03103XXI15Q
.xx± 0.25	.x'± 1'	CHK. Abel 20150505	UNITS: mm	CUSTOMER DRAWING
.xxx± 0.15	.xx'± 0.5'	DRA. Michelle 20150505	SIZE: A4	SCALE 3:1

SHEET 1 / 2 REV A0 V

RoHS Compliant

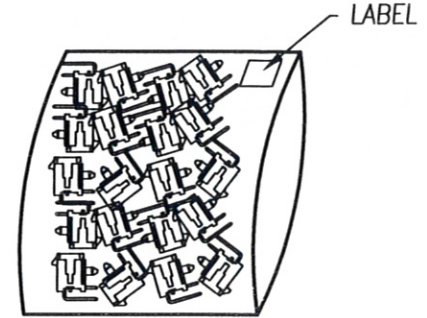
REV	MODIFICATION	DATE	DRAW
A0	Release To MA20150501	2015.05.05	Michelle

A
B
C
D
E
F

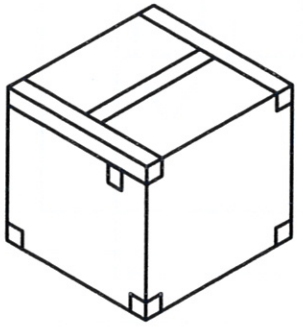
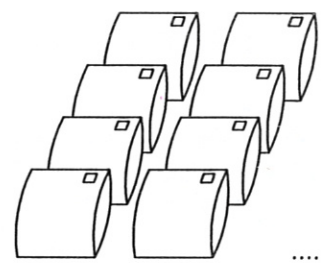


CONNECTOR INTO THE BAG

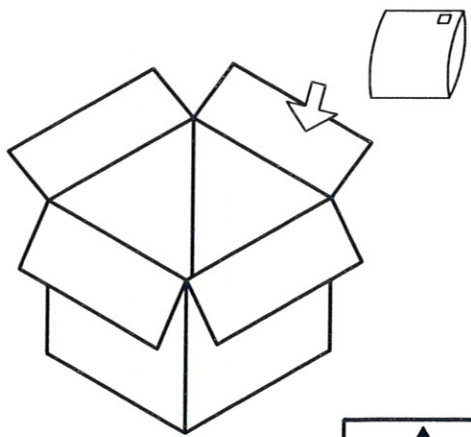
PIN	Q'TY
02,04,06	1000
08,10,12,14	500
16,18,20,22,24	250



SEAL THE BAG




CLOSE CARTON WITH TAPE.



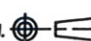
INTO THE CARTON, QT'Y BY OTHER.





金上達科技股份有限公司

GOLDENSUNDA TECHNOLOGY CO.,LTD

TOLERANCE UNLESS OTHERWISE SPECIFIED		PROJ. 	TITLE: Wire To Board Wafer 3.00mm 90° DIP Dual Row		
.x± 0.35	x.'± 2'	APR. C.F.Liao 20150505	PART NO. AD03103XXI15Q	DWG NO. AD03103XXI15Q	
.xx± 0.25	.x'± 1'	CHK. Abel 20150505	UNITS: mm	CUSTOMER DRAWING	
.xxx± 0.15	.xx'± 0.5'	DRA. Michelle 20150505	SIZE: A4	SCALE Free	SHEET 2 / 2
			REV A0	V	

1 2 3 4 5 6 7 8