

PIN	DIM.A	DIM.B	DIM.C	PIN	DIM.A	DIM.B	DIM.C
02		6.65		14	18.00	24.65	13.70
04	3.00	9.65		16	21.00	27.65	16.70
06	6.00	12.65		18	24.00	30.65	19.70
08	9.00	15.65	4.70	20	27.00	33.65	22.70
10	12.00	18.65	7.70	22	30.00	36.65	25.70
12	15.00	21.65	10.70	24	33.00	39.65	28.70

REV	MODIFICATION	DATE	DRAW
A0	Release To MA20150501	2015.05.05	Michelle

**RoHS Compliant**

Specification  
 1.Current Rating:See Note1  
 2.Voltage Rating:250V AC/DC  
 3.Contact Resistance:10mΩ Max.  
 4.Insulation Resistance:1000MΩ Min. At 500V  
 5.Dielectric Withstanding Voltage:AC1500V/Minute  
 6.Operating Temperature:-25°C~+85°C  
 Material:  
 1.Housing:High Temperature Thermoplastic UL94V-0  
 2.Contact Pin:Copper Alloy SQ. Pin 0.64mm  
 Finish:  
 1.Housing:Black  
 2.Contact Pin:Bright Tin Plated Over Nickel  
 Part No.: ADO3103 XX I 1 5 Q  
 No. Of Pin 02~24  
 Housing Material I: NY6T UL94V-0 Black  
 Packing 5: Bag  
 Plating 1: Bright Tin Plated Over Nickel




Note1: Wire Size And Current Rating

Wire Size	#20	#22	#24	#26	#28	#30
Ampere	5A	5A	4A	3A	2A	1A

**金上達科技股份有限公司**  
**GOLDENSUNDA TECHNOLOGY CO.,LTD**

TOLERANCE UNLESS OTHERWISE SPECIFIED

PROJ. 

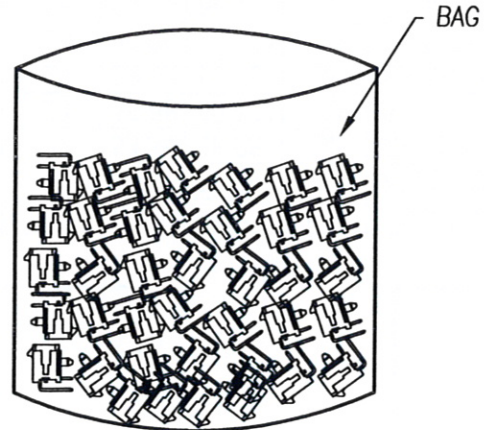
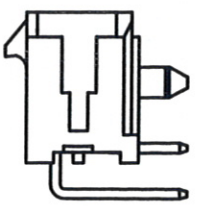
TITLE: Wire To Board Wafer 3.00mm 90° DIP Dual Row

.x± 0.35	x.± 2'	APR. C.F.Liao 20150505	PART NO. AD03103XXI15Q	DWG NO. AD03103XXI15Q
.xx± 0.25	.x'± 1'	CHK. Abel 20150505	UNITS: mm	CUSTOMER DRAWING
.xxx± 0.15	.xx'± 0.5'	DRA. Michelle 20150505	SIZE: A4	SCALE 3:1 SHEET 1 / 2 REV A0 V

**RoHS Compliant**

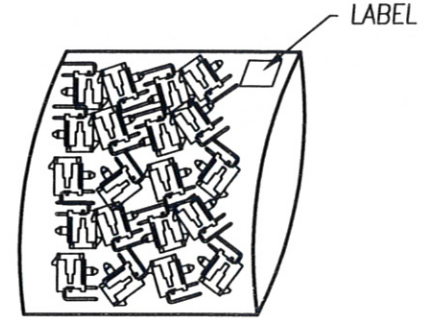
REV	MODIFICATION	DATE	DRAW
A0	Release To MA20150501	2015.05.05	Michelle

A  
B  
C  
D  
E  
F

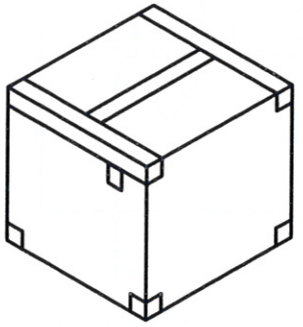
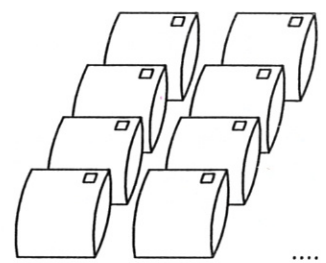


CONNECTOR INTO THE BAG

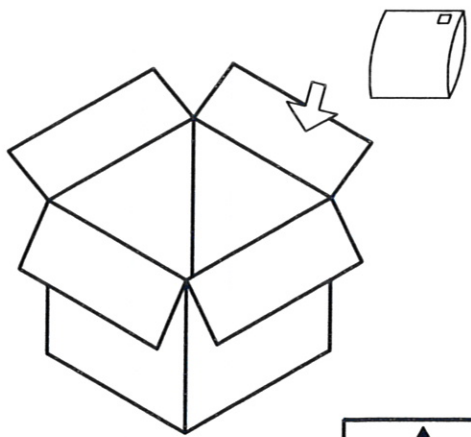
PIN	Q'TY
02,04,06	1000
08,10,12,14	500
16,18,20,22,24	250



SEAL THE BAG




CLOSE CARTON WITH TAPE.



INTO THE CARTON, QT'Y BY OTHER.





## 金上達科技股份有限公司

**GOLDENSUNDA TECHNOLOGY CO.,LTD**

TOLERANCE UNLESS OTHERWISE SPECIFIED		PROJ.	TITLE: Wire To Board Wafer 3.00mm 90° DIP Dual Row		
.x± 0.35	x.'± 2'	APR. C.F.Liao 20150505	PART NO. AD03103XXI15Q	DWG NO. AD03103XXI15Q	
.xx± 0.25	.x'± 1'	CHK. Abel 20150505	UNITS: mm	CUSTOMER DRAWING	
.xxx± 0.15	.xx'± 0.5'	DRA. Michelle 20150505	SIZE: <b>A4</b>	SCALE Free	SHEET 2 / 2
			REV A0	V	

1 2 3 4 5 6 7 8