


1 2 3 4 5 6 7 8

 **RoHS Compliant**

REV	MODIFICATION	DATE	DRAW
A0	Release To Product	2009.10.08	Abel
A1	Release To ECN20130307	2013.03.27	Seven

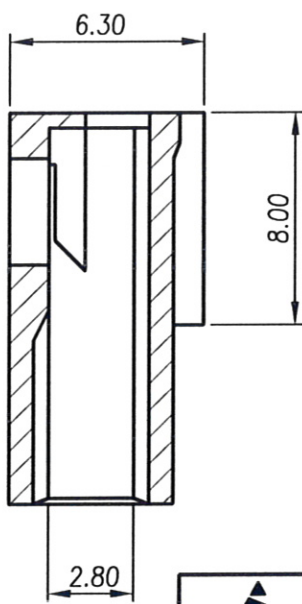
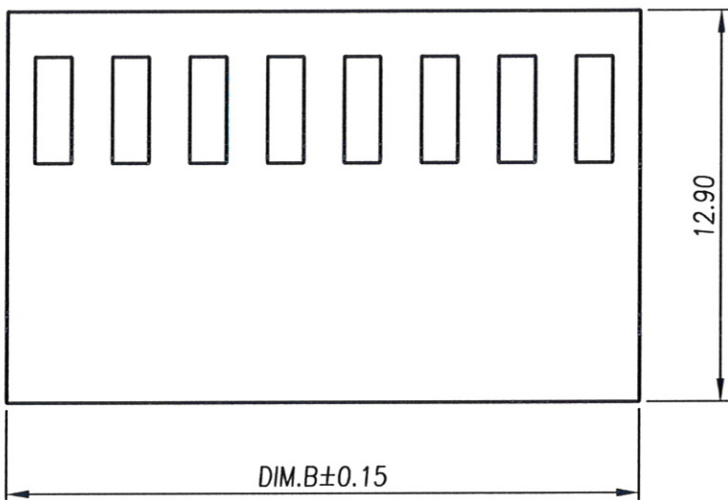
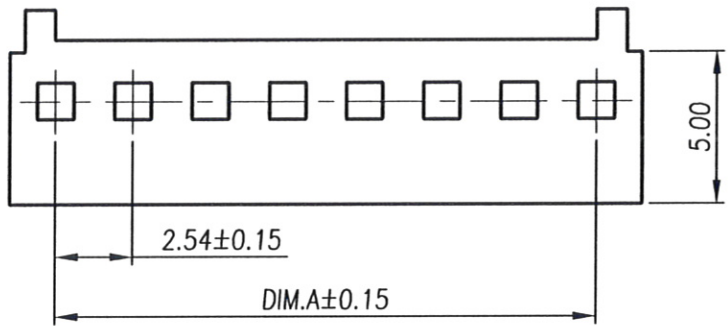



Specification
 1.Current Rating:3A AC/DC
 2.Voltage Rating:250V AC/DC
 3.Contact Resistance:20mΩ Max.
 4.Insulation Resistance:1000MΩ Min. At DC 500V
 5.Withstand Voltage:1500V AC/Minute
 6.Operating Temperature:-25°C~+85°C

Material:
 1.Housing:Thermoplastic UL94V-2
Finish:
 1.Housing:Natural(Cream-Color)

Part No.: BC03600 XX 0 1 B 2
 Number of Pin 02~20
 Housing Material 0:PA66 UL94V-2
 Packing B:Bag
 Housing Color 1:Natural

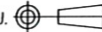
Pin	DIM.A	DIM.B	Pin	DIM.A	DIM.B
02	2.54	5.64	12	27.94	31.00
03	5.08	8.16	13	30.48	33.50
04	7.62	10.72	14	32.02	36.00
05	10.16	13.30	15	35.56	38.50
06	12.70	15.78	16	38.10	41.20
07	15.24	18.40	17	40.64	43.60
08	17.78	20.80	18	43.18	46.32
09	20.32	23.50	19	45.72	48.80
10	22.86	26.00	20	48.26	51.34
11	25.40	28.50			





金上達科技股份有限公司

GOLDENSUND TECHNOLOGY CO.,LTD

TOLERANCE UNLESS OTHERWISE SPECIFIED		PROJ. 	TITLE: Wire To Board Housing 2.54mm			
.x± 0.35	x.'± 2'	APR. Jay 20130327	PART NO. BC03600XX01B2		DWG NO. BC03600XX01B2	
.xx± 0.25	.x'± 1'	CHK. Michelle 20130327	UNITS: mm	CUSTOMER DRAWING		
.xxx± 0.15	.xx'± 0.5'	DRA. Seven 20130327	SIZE: A4	SCALE 4:1	SHEET 1 / 1	
			REV A1	V		

1 2 3 4 5 6 7 8

A
B
C
D
E
F

A
B
C
D
E
F