

RoHS Compliant

REV	MODIFICATION	DATE	DRAW
A3	Release To ECN20131008	2013.10.17	Michelle
A4	Release To ECN20140514	2014.05.23	Michelle
A5	Release To ECN20150610	2015.06.23	Michelle

Specification

- 1.Current Rating:3A AC/DC
- 2.Voltage Rating:250V AC/DC
- 3.Contact Resistance:10mΩ Max.
- 4.Insulation Resistance:1000MΩ Min. At DC 500V
- 5.Dielectric Withstanding Voltage:AC800V/Minute
- 6.Operating Temperature:-25°C~+85°C

Material:

- 1.Housing:High Temperature Thermoplastic UL94V-0
- 2.Contact Pin:Copper Alloy SQ. Pin 0.64mm

Finish:

- 1.Housing:Natural
- 2.Contact Pin:Bright Tin Plated Over Nickel

Part No.: AD04800 XX 1 4 5 2

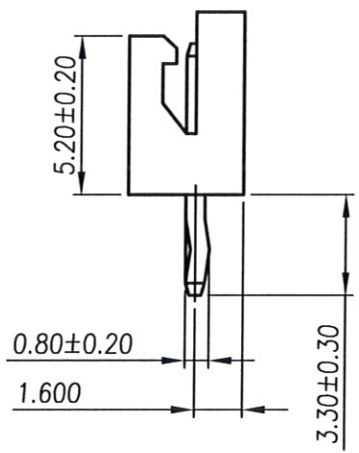
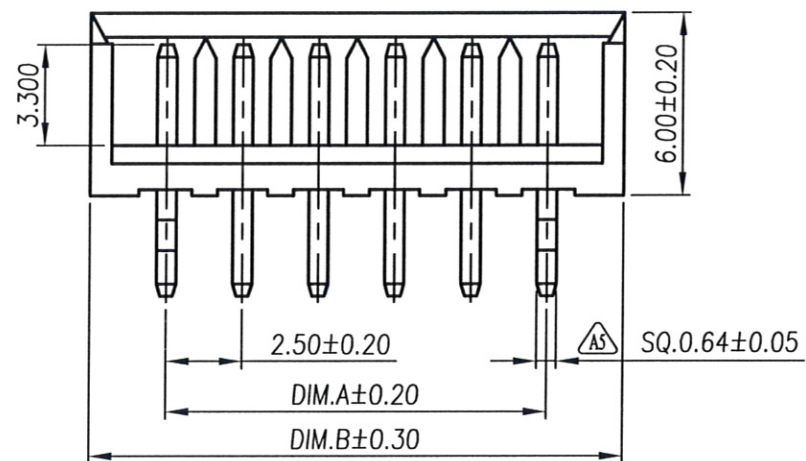
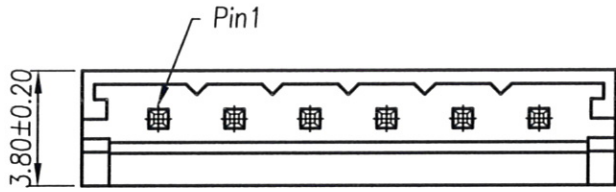
AA No. Of Pin
02~10

Packing
5:Bag

Housing Material
1:PA66 UL94V-0 Natural

Plating
4:Bright Tin Plated Over Nickel With Kink

PIN	DIM.A	DIM.B	PIN	DIM.A	DIM.B
02	2.50	7.50	07	15.00	20.00
03	5.00	10.00	08	17.50	22.50
04	7.50	12.50	09	20.00	25.00
05	10.00	15.00	10	22.50	27.50
06	12.50	17.50			



RECOMMENDED P.C.B LAYOUT

發行
104.6.23
文管中心

金上達科技股份有限公司
GOLDENSUNDA TECHNOLOGY CO.,LTD

TOLERANCE UNLESS OTHERWISE SPECIFIED		PROJ.	TITLE: Wire To Board Wafer 2.50mm 180° DIP Single Row		
.x± 0.35	x.*± 2'	APR. C.F.Liao 20150623	PART NO. AD04800XX1452	DWG NO. AD04800XX1452	
.xx± 0.25	.x.*± 1'	CHK. Abel 20150623	UNITS: mm	CUSTOMER DRAWING	
.xxx± 0.15	.xx.*± 0.5'	DRA. Michelle 20150623	SIZE: A4	SCALE 4:1	SHEET 1 / 1 REV A5 V