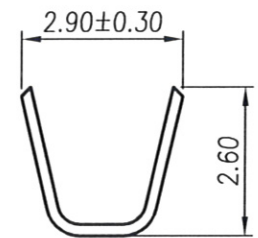
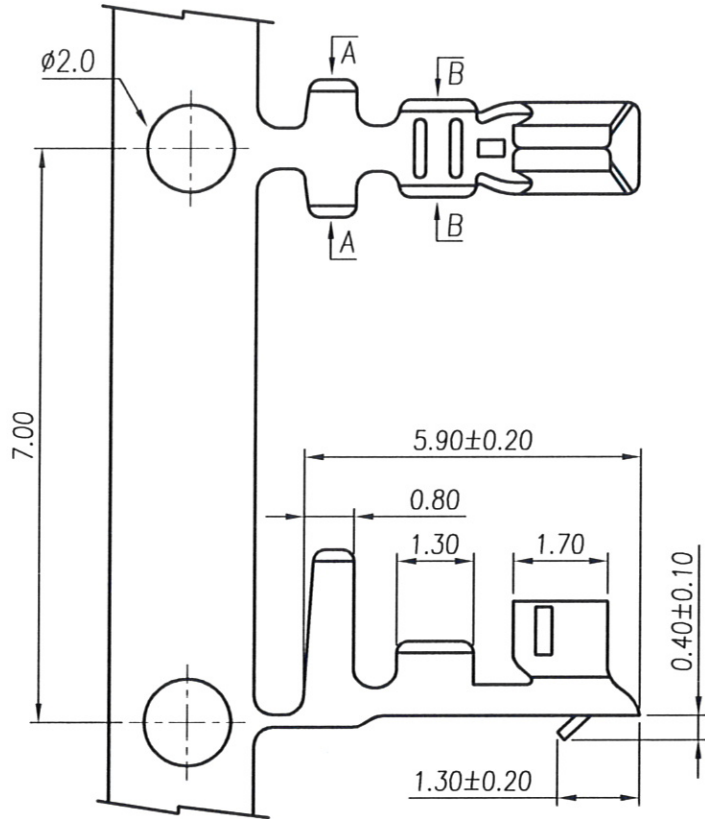
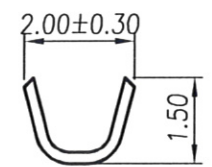


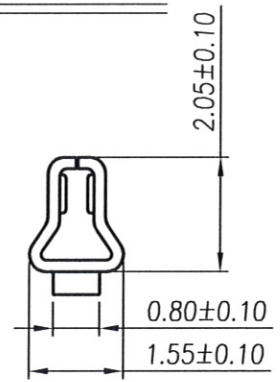
REV	MODIFICATION	DATE	DRAW
A0	Release to production	2012.07.24	Micelle



Section A-A



Section B-B




RoHS Compliant

Specifications & Ordering Information:


Part No	Thickness	Material	Wire Range
CC0480000P1A5	0.20mm	Phosphor Bronze	AWG #22~30

Insulation O.D.	Finish	Qty/reel
1.6-1.13 mm	Pre. Tin-Plated	10,000PCS



金上達科技股份有限公司

GOLDENSUND TECHNOLOGY CO.,LTD

TOLERANCE UNLESS OTHERWISE SPECIFIED		PROJ. 	TITLE: Wire To Board Terminal 2.50mm			
.x± 0.35	x.* 2'	APR. Jay 20120724	PART NO. CC0480000P1A5	DWG NO. CC0480000P1A5		
.xx± 0.25	.x.* 1'	CHK. Seven 20120724	UNITS: mm	CUSTOMER DRAWING		
.xxx± 0.15	.xx.* 0.5'	DRA. Michelle 20120724	SIZE: A4	SCALE 1.25:1	SHEET 1 / 1	
			REV A0	V		