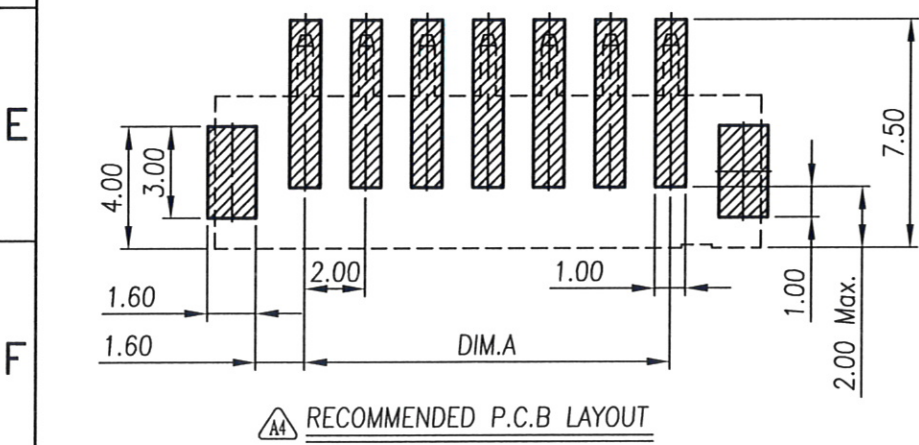
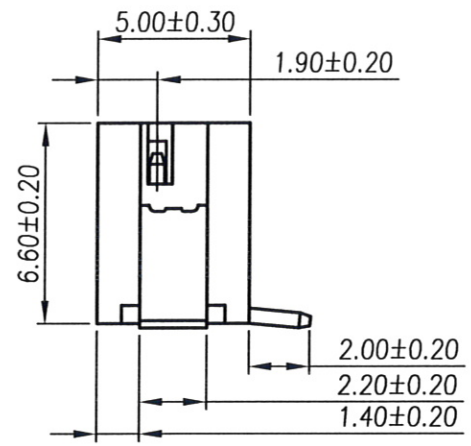
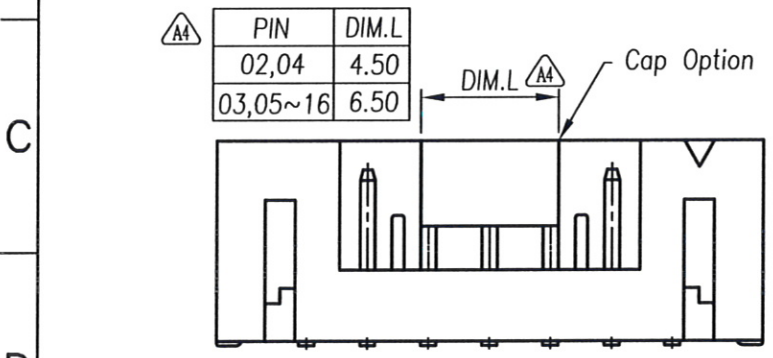


△A4				△A3			
PIN	DIM.A	DIM.B	DIM.C	PIN	DIM.A	DIM.B	DIM.C
02	2.00	4.80	8.00	10	18.00	20.80	24.00
03	4.00	6.80	10.00	11	20.00	22.80	26.00
04	6.00	8.80	12.00	12	22.00	24.80	28.00
05	8.00	10.80	14.00	13	24.00	26.80	30.00
06	10.00	12.80	16.00	14	26.00	28.80	32.00
07	12.00	14.80	18.00	15	28.00	30.80	34.00
08	14.00	16.80	20.00	16	30.00	32.80	36.00
09	16.00	18.80	22.00				



發行
104.6.30
文管中心

REV	MODIFICATION	DATE	DRAW
A2	Release To ECN20111005	2011.10.07	Ivy
A3	Release To ECN20130304	2013.03.20	Seven
A4	Release To ECN20150613	2015.06.30	Michelle

△A3 **RoHS Compliant**

Specification
 1.Current Rating:2A
 2.Voltage Rating:100V AC/DC
 3.Contact Resistance:20mΩ Max.
 4.Insulation Resistance:1000MΩ Min.
 5.Dielectric Withstanding Voltage:AC800V/Minute
 6.Operating Temperature:-25°C~+85°C
 Material:
 1.Housing:High Temperature Thermoplastic UL94V-0
 2.Tab:Copper Alloy
 3.Contact Pin:Copper Alloy SQ. Pin 0.50mm
 4.Cap:High Temperature Thermoplastic UL94V-0 None H.F
 Finish:
 1.Housing:See P/N Option
 △A4 2.Tab:Tin Plated Over Nickel
 3.Contact Pin:See P/N Option
 △A4 4.Cap:Black
 Part No.: AS05700 XX X X X 2
 No. Of Pin 02~16
 Packing
 0:T&R With Cap
 1:T&R Without Cap
 3:Tube With Cap
 4:Tube Without Cap
 Housing Material
 5:HTN UL94V-0 Natural None H.F
 K:HTN UL94V-0 Natural H.F
 Plating
 1:Bright Tin Plated Over Nickel
 2:Matte Tin Plated Over Nickel
 3:Gold Flash Over Nickel

金上達科技股份有限公司
GOLDENSUNDA TECHNOLOGY CO.,LTD

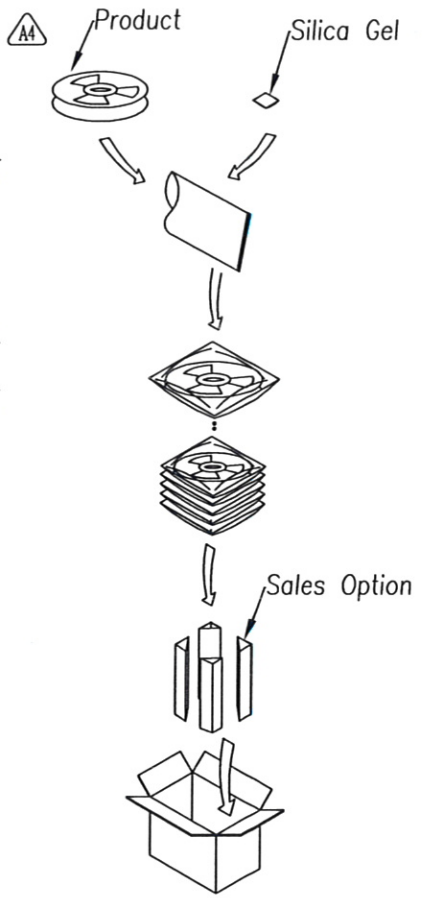
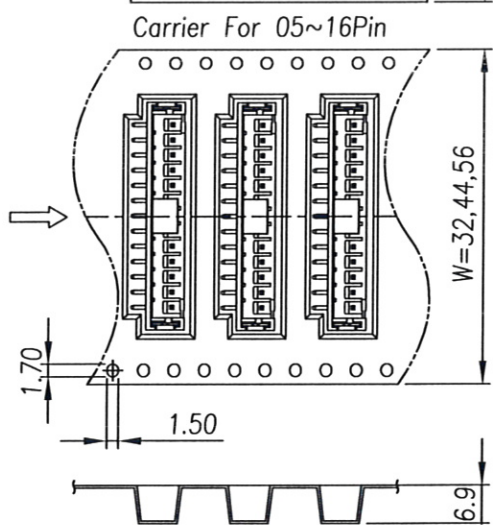
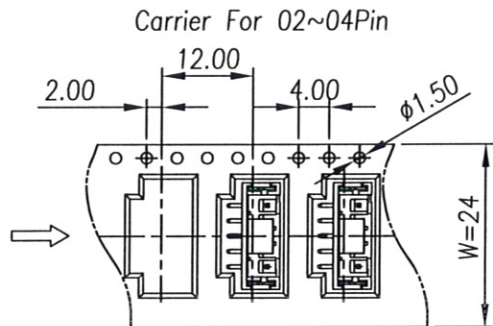
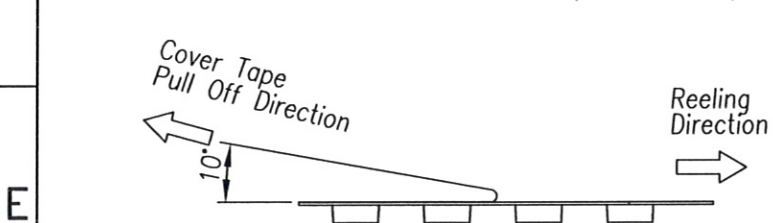
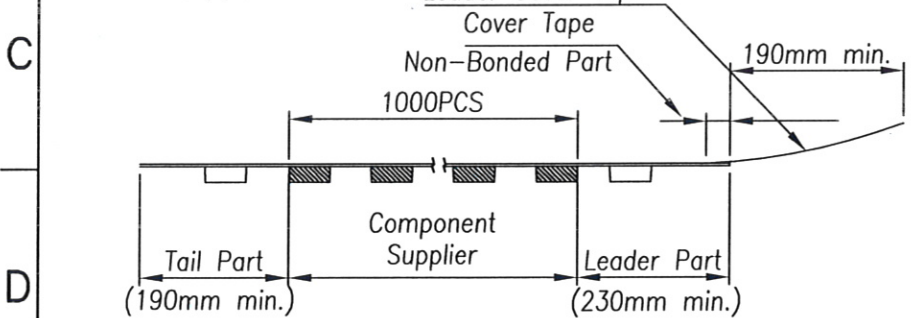
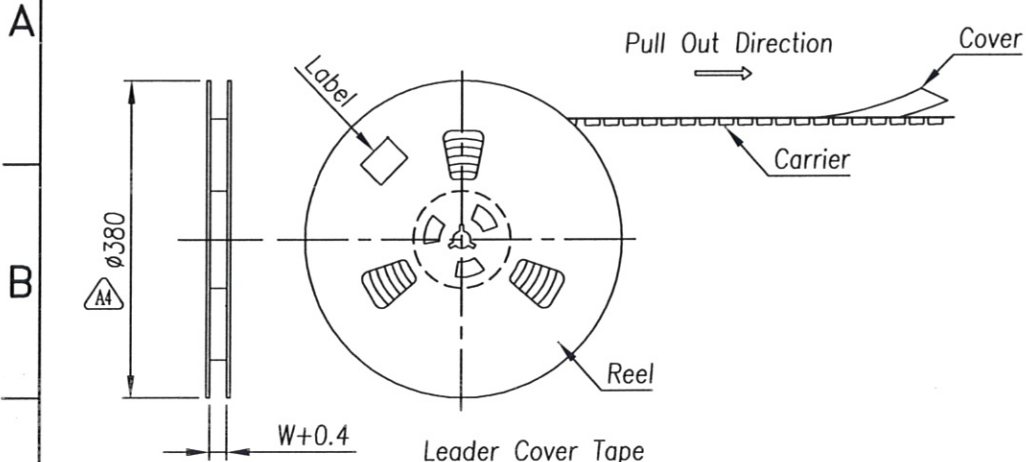
TOLERANCE UNLESS OTHERWISE SPECIFIED
 .x± 0.35 x:± 2'
 .xx± 0.25 .x:± 1'
 .xxx± 0.15 .xx:± 0.5'

PROJ. TITLE: Wire To Board Wafer 2.00mm 180° SMT Single Row
 APR. C.F.Liao 20150630 PART NO. AS05700XXXXX2 DWG NO. AS05700XXXXX2
 CHR. Abel 20150630 UNITS: mm CUSTOMER DRAWING
 DRA. Michelle 20150630 SIZE: A4 SCALE 4:1 SHEET 1 / 2 REV A4 V

RoHS Compliant



REV	MODIFICATION	DATE	DRAW
A2	Release To ECN20111005	2011.10.07	Ivy
A3	Release To ECN20130304	2013.03.20	Seven
A4	Release To ECN20150613	2015.06.30	Michelle



發行
104.6.30
文管中心

PIN NO.	W ±0.30	PCS / REEL
02 ~ 04	24	1000
05 ~ 07	32	
08 ~ 14	44	
15 ~ 16	56	

Notes:
1. Material : PS
2. Part No.: AS05700XXXX02
AS05700XXXX12

金上達科技股份有限公司
GOLDENSUNDA TECHNOLOGY CO.,LTD

TOLERANCE UNLESS OTHERWISE SPECIFIED	PROJ.	TITLE: Wire To Board Wafer 2.00mm 180° SMT Single Row		
.x± 0.35	x.* 2'	APR. C.F.Liao 20150630	PART NO. AS05700XXXXX2	DWG NO. AS05700XXXXX2
.xx± 0.25	.x.* 1'	CHK. Abel 20150630	UNITS: mm	CUSTOMER DRAWING
.xxx± 0.15	.xx.* 0.5'	DRW. Michelle 20150630	SIZE: A4	SCALE Free
			SHEET 2 / 2	REV A4 V