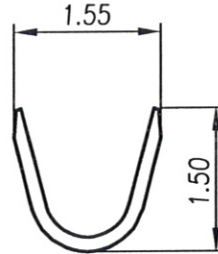
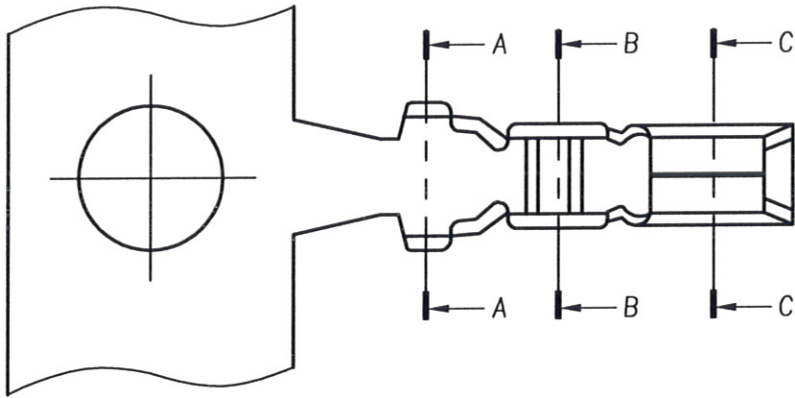


1 2 3 4 5 6 7 8

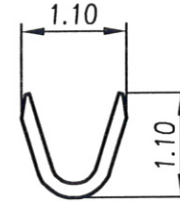


RoHS Compliant

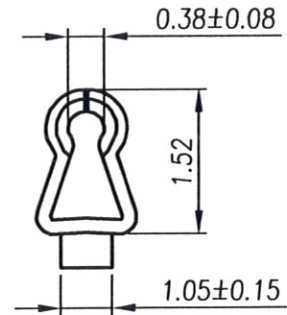
REV	MODIFICATION	DATE	DRAW
A3	Release To ECN20110513	2011.05.24	Seven
A4	Release To ECN20110614	2011.07.07	Seven
A5	Release To ECN20130313	2013.03.29	Seven



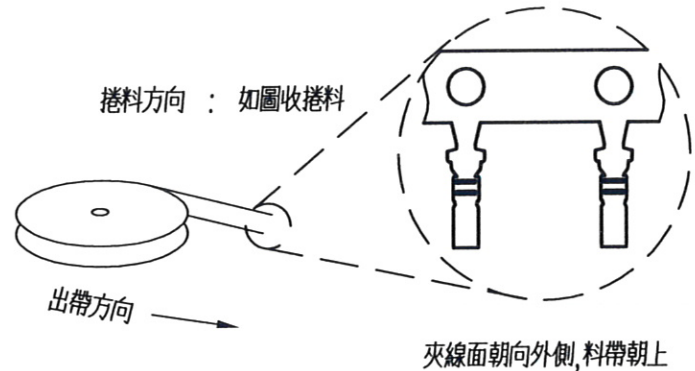
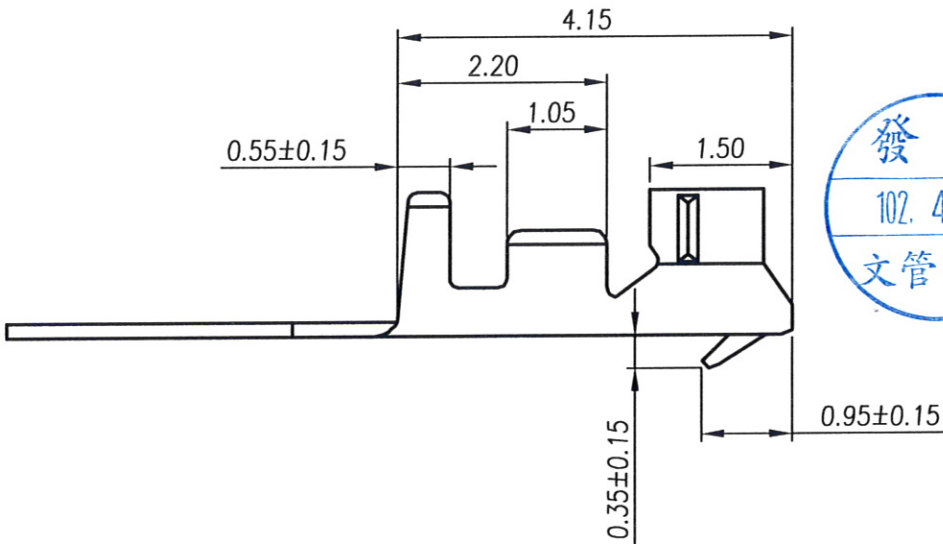
SEC. A-A



SEC. B-B




SEC. C-C



Specifications & Ordering Information:


Part No	Thickness	Material	Wire Range	Insulation O.D.
CC0660000P1A4	0.15mm	Phosphor Bronze	AWG #28~32	0.90~0.54mm

Finish	Qty/reel	Use With(Housing)
Bright Tin	10,000PCS	BC06600XX11B3



金上達科技股份有限公司

GOLDENSUND TECHNOLOGY CO.,LTD

TOLERANCE UNLESS OTHERWISE SPECIFIED		PROJ. 	TITLE: Wire To Board Terminal 1.50mm		
.x± 0.35	x.± 2'	APR. Jay 20130329	PART NO. CC0660000P1A4	DWG NO. CC0660000P1A4	
.xx± 0.25	.x'± 1'	CHK. Michelle 20130329	UNITS: mm	CUSTOMER DRAWING	
.xxx± 0.15	.xx'± 0.5'	DRA. Seven 20130329	SIZE: A4	SCALE 10:1	SHEET 1 / 1 REV A5 V

1 2 3 4 5 6 7 8

A

B

C

D

E

F

A

B

C

D

E

F