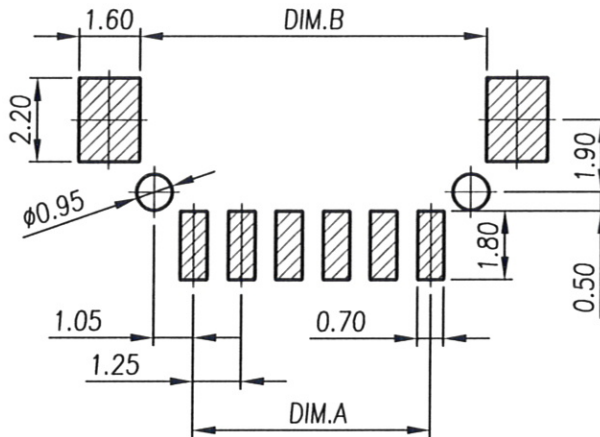
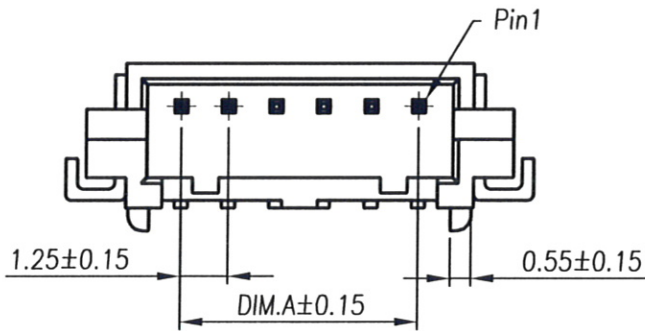
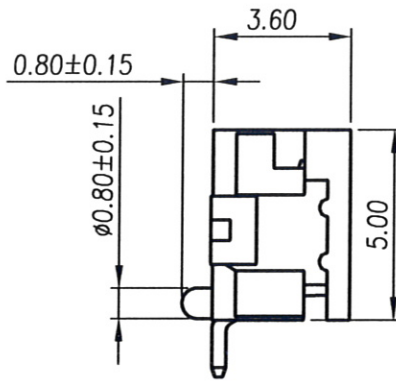
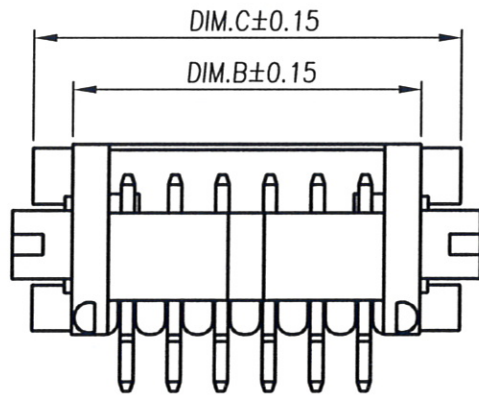


RoHS Compliant



Recommended PCB Layout
(Tolerance±0.05)



REV	MODIFICATION	DATE	DRAW
A0	Release To Production	2009.10.27	Abel
A1	Release To ECN20110716	2011.08.17	Ivy
A2	Release To ECN20130304	2013.03.20	Seven

Specification

- 1.Current Rating:1A AC/DC
- 2.Voltage Rating:100V AC/DC
- 3.Contact Resistance:20mΩ Max.
- 4.Insulation Resistance:500MΩ Min.
- 5.Withstand Voltage:500V AC/Minute
- 6.Operating Temperature:-25°C~+85°C

Material:

- 1.Housing:High Temp. Thermoplastic UL94V-0
- 2.Contact:Copper Alloy SQ. Pin=0.35mm
- 3.Tab:Copper Alloy T=0.3mm

Finish:

- 1.Housing:Natural
- 2.Contact:See P/N Option
- 3.Tab:Tin Plated


Part No.: AS07703 XX 5 X X 2

Number of Pin 02~15
Packing
1:T&R
4:Tube

Housing Material
5:HTN UL94V-0 Natural

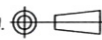
Plating
1:Bright Tin Plated Over Ni All
2:Matte Tin Plated Over Ni All
3:Gold Flash Over Nickel

PIN	DIM.A	DIM.B	DIM.C	PIN	DIM.A	DIM.B	DIM.C
02	1.25	4.15	6.25	09	10.00	12.90	15.00
03	2.50	5.40	7.50	10	11.25	14.15	16.25
04	3.75	6.65	8.75	11	12.50	15.40	17.50
05	5.00	7.90	10.00	12	13.75	16.65	18.75
06	6.25	9.15	11.25	13	15.00	17.90	20.00
07	7.50	10.40	12.50	14	16.25	19.15	21.25
08	8.75	11.65	13.75	15	17.50	20.40	22.50



金上達科技股份有限公司

GOLDENSUND TECHNOLOGY CO.,LTD

TOLERANCE UNLESS OTHERWISE SPECIFIED		PROJ. 	TITLE: Wire To Board Wafer 1.25mm 90° SMT W/Post	
.x± 0.35	x.'± 2'	APR. Jay 20130320	PART NO. AS077003XX5XX2	DWG NO. AS07703XX5XX2
.xx± 0.25	.x'± 1'	CHK. Michelle 20130320	UNITS: mm	CUSTOMER DRAWING
.xxx± 0.15	.xx'± 0.5'	DRA. Seven 20130320	SIZE: A4	SCALE 5:1
		SHEET 1 / 1		REV A2 V