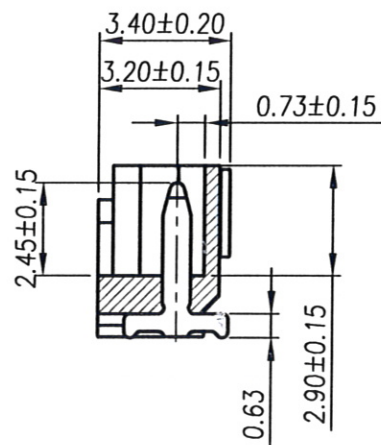
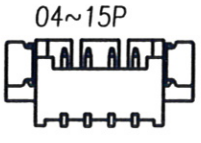
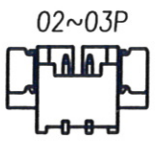


RECOMMENDED PCB LAYOUT
TOLERANCE ± 0.05



PIN	DIM.A	DIM.B	DIM.C	DIM.D
02	1.25	3.05	4.25	7.65
03	2.50	4.30	5.50	8.90
04	3.75	5.55	6.75	10.15
05	5.00	6.80	8.00	11.40
06	6.25	8.05	9.25	12.65
07	7.50	9.30	10.50	13.90
08	8.75	10.55	11.75	15.15
09	10.00	11.80	13.00	16.40
10	11.25	13.05	14.25	17.65
11	12.50	14.30	15.50	18.90
12	13.75	15.55	16.75	20.15
13	15.00	16.80	18.00	21.40
14	16.25	18.05	19.25	22.65
15	17.50	19.30	20.50	23.90

REV	MODIFICATION	DATE	DRAW
A2	Release To ECN20111106	2011.11.23	Seven
A3	Release To ECN20111110	2011.11.29	Ivy
A4	Release To ECN20130306	2013.03.14	Seven

RoHS Compliant

- Spec.
- Current Rating: 1A
 - Voltage Rating: 125V AC
 - Contact Resistance: 20mΩ Max.(Initial); 40mΩ Max.(Final)
 - Insulation Resistance: 100MΩ Min. At 500V
 - Dielectric Withstanding Voltage: AC 250V/Minute
 - Operating Temperature: -40°C ~ +85°C

- Material:
- Housing: High Temp. Thermoplastic UL94V-0
 - Contact Pin: Copper Alloy T=0.30mm
 - Tab: Copper Alloy T=0.25mm
- Finish:
- Housing: Natural
 - Contact Pin: See P/N Option
 - Tab: Tin Plated Over Nickel



Part No.: AS07601 XX X X X 1

Number of Pin: 02~15
Packing: 1:T&R, 4:Tube

Housing Material: 3:PA46 UL94V-0 Nature, 5:NY6T UL94V-0 Nature, K:HTN UL94V-0 Nature(HF), V:PA46 UL94V-0 Red
Plating: 1:Bright Tin Plated Over Nickel, 2:Matte Tin Plated Over Nickel, 3:Gold Flash Over Nickel

金上達科技股份有限公司
GOLDENSUNDA TECHNOLOGY CO.,LTD

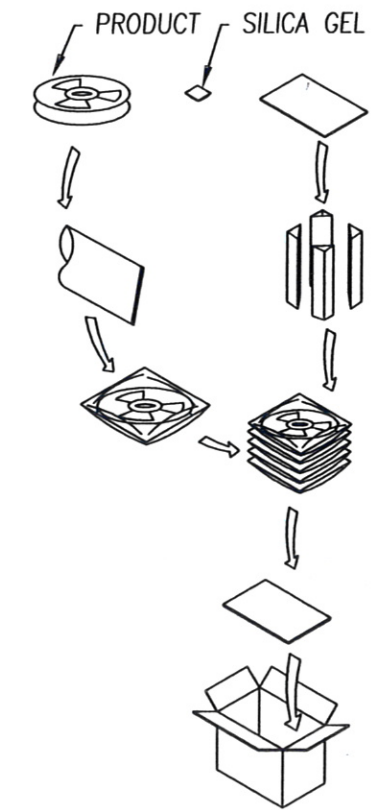
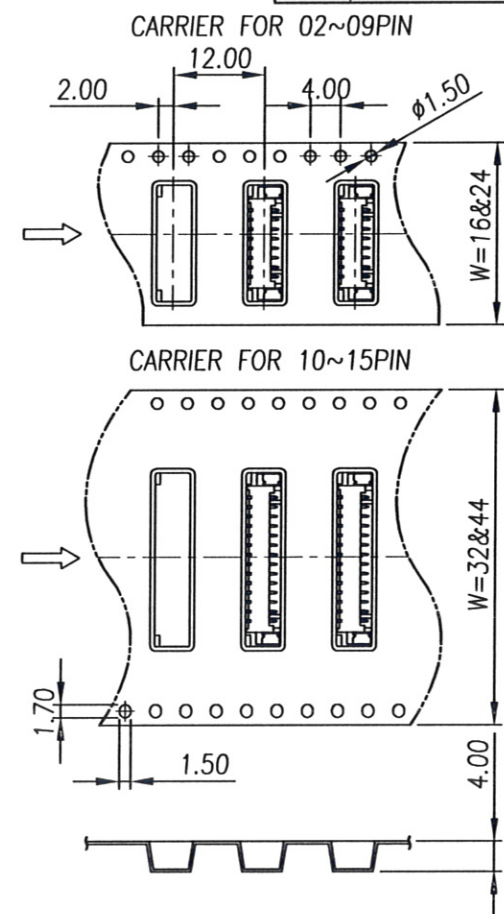
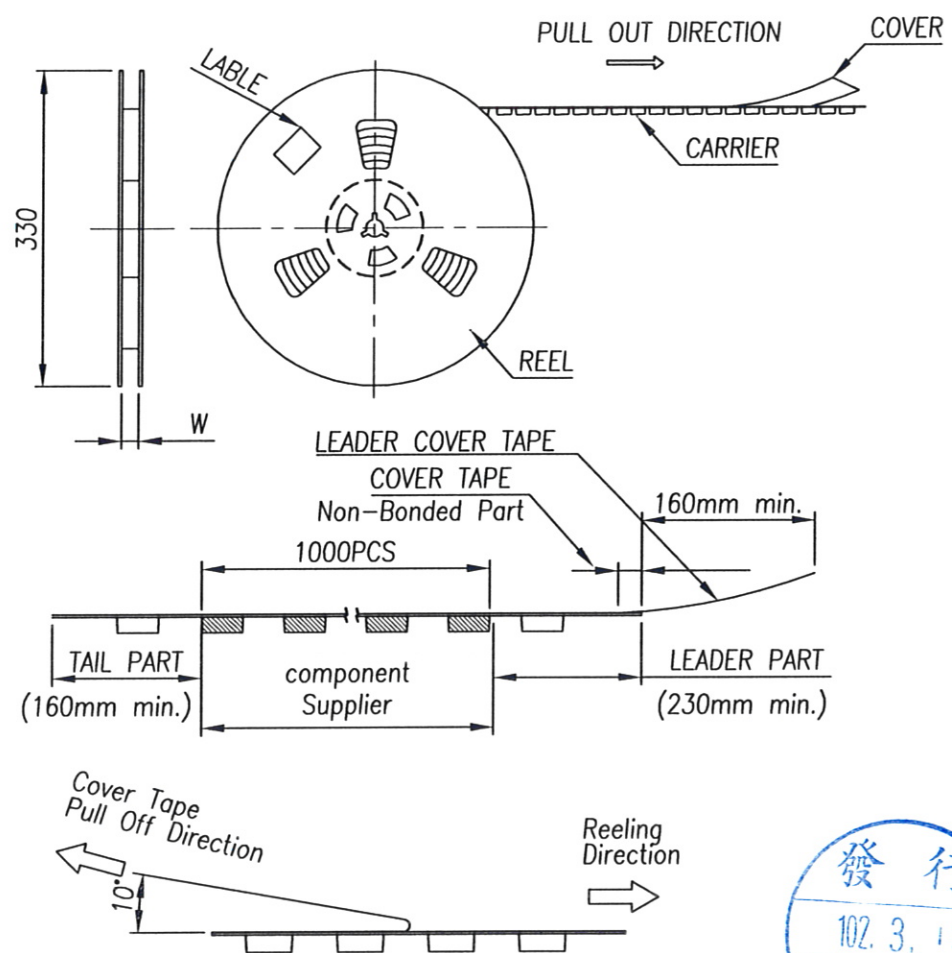
TOLERANCE UNLESS OTHERWISE SPECIFIED		PROJ.	TITLE: Wire To Board Wafer 1.25mm 90° SMT	
.x ± 0.35	x' ± 2'	APR. Jay 20130314	PART NO. AS07601XXXXX1	DWG NO. AS07601XXXXX1
.xx ± 0.25	.x' ± 1'	CHK. Michelle 20130314	UNITS: mm	
.xxx ± 0.15	.xx' ± 0.5'	DRA. Seven 20130314	CUSTOMER DRAWING	
		SIZE: A4	SCALE: 5:1	SHEET 1 / 2
				REV A4

RoHS Compliant



REV	MODIFICATION	DATE	DRAW
A2	Release To ECN20111106	2011.11.23	Seven
A3	Release To ECN20111110	2011.11.29	Ivy
A4	Release To ECN20130306	2013.03.14	Seven

A
B
C
D
E
F



發行
102.3.19
文管中心

PIN NO.	W ±0.30	PCS / REEL
02 ~ 03	16	1000
04 ~ 09	24	
10 ~ 13	32	
14 ~ 15	44	

NOTES:
1. Material : PS
2. Part No.: AS07601XXXX11

金上達科技股份有限公司
GOLDENSUNDA TECHNOLOGY CO., LTD

TOLERANCE UNLESS OTHERWISE SPECIFIED		PROJ.	TITLE: Wire To Board Wafer 1.25mm 90° SMT	
.x± 0.35	x.± 2'	APR. Jay 20130314	PART NO. AS07601XXXXX1	DWG NO. AS07601XXXXX1
.xx± 0.25	.x± 1'	CHK. Michelle 20130314	UNITS: mm	CUSTOMER DRAWING
.xxx± 0.15	.xx± 0.5'	DRA. Seven 20130314	SIZE: A4	
			SHEET 2 / 2	REV A4

1 2 3 4 5 6 7 8