

1 2 3 4 5 6 7 8



RoHS Compliant

REV	MODIFICATION	DATE	DRAW
A0	Release To S1104080	2011.04.26	Seven
A1	Release To ECN20130308	2013.03.25	Seven

Specification

- 1.Current Rating:1A AC/DC
- 2.Voltage Rating:150V AC/DC
- 3.Contact Resistance:30mΩ Max.
- 4.Insulation Resistance:500MΩ Min.
- 5.Withstand Voltage:500V AC/Minute
- 6.Operating Temperature:-25°C~+85°C

Material:

1.Housing:High Temperature Thermoplastic UL94V-0

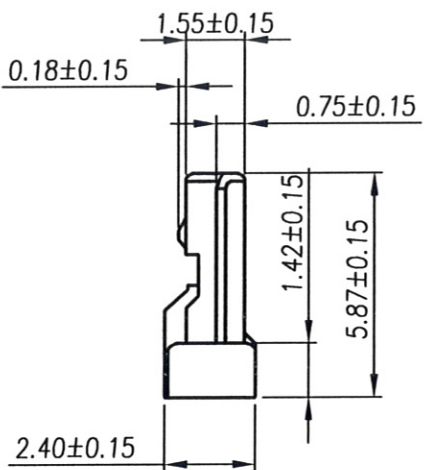
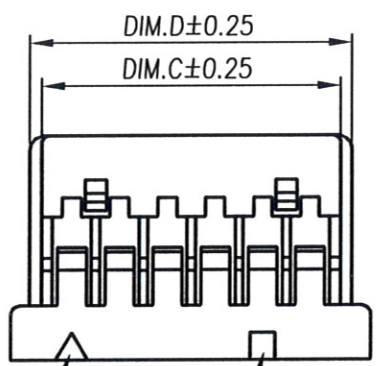
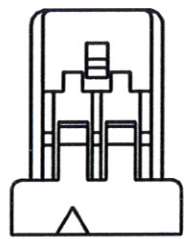
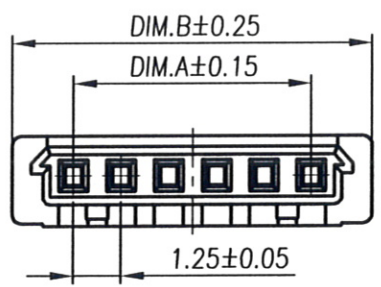
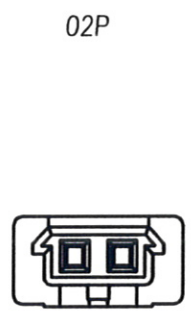
Finish:

1.Housing: Gray

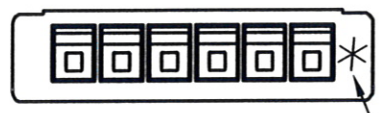
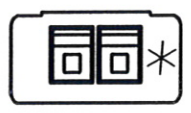
Part No.: BC07800 XX C B B 3

Number of Pin 02~30
 Packing B:Bag (1000PCS/Bag)

Housing Material C:NY66 UL94V-0
 Housing Color B:Gray



PIN 1 Pin Signed (20-30Pin)



CAV. NO.

PIN	DIM.A	DIM.B	DIM.C	DIM.D	PIN	DIM.A	DIM.B	DIM.C	DIM.D
02	/	4.45	2.85	3.45	09	10.00	13.20	11.60	12.20
03	2.50	5.70	4.10	4.70	10	11.25	14.45	12.85	13.45
04	3.75	6.95	5.35	5.95	12	13.75	16.95	15.35	15.95
05	5.00	8.20	6.60	7.20	15	17.50	20.70	19.10	19.70
06	6.25	9.45	7.85	8.45	20	23.75	26.95	25.35	25.95
07	7.50	10.70	9.10	9.70	25	30.00	33.20	31.60	32.20
08	8.75	11.95	10.35	10.95	30	36.25	39.45	37.85	38.45



金上達科技股份有限公司

GOLDENSUND TECHNOLOGY CO.,LTD

TOLERANCE UNLESS OTHERWISE SPECIFIED		PROJ.	TITLE: Wire To Board Housing 1.25mm			
.x± 0.35	.x'± 2'	APR. Jay 20130325	PART NO. BC07800XXCBB3		DWG NO. BC07800XXCBB3	
.xx± 0.25	.x'± 1'	CHK. Michelle 20130325	UNITS: mm	CUSTOMER DRAWING		
.xxx± 0.15	.xx'± 0.5'	DRA. Seven 20130325	SIZE: A4	SCALE 5:1	SHEET 1 / 1 REV A1 V	

1 2 3 4 5 6 7 8

A B C D E F

A B C D E F