

1 2 3 4 5 6 7 8

A

B

C

D

E

F



RoHS Compliant

REV	MODIFICATION	DATE	DRAW
A0	Release To Production	2010.04.14	AJ
A1	Release To ECN20130308	2013.03.25	Seven

A

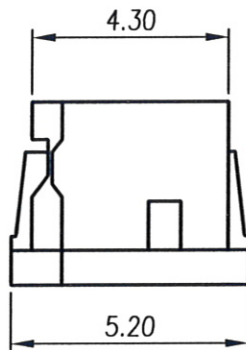
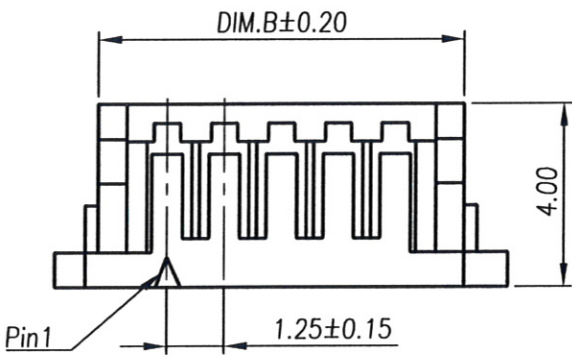
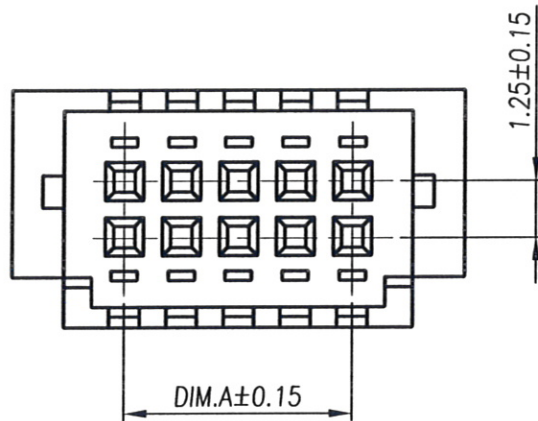
B

C

D

E

F



Specification

- 1.Current Rating:1A AC/DC
- 2.Voltage Rating:100V AC/DC
- 3.Contact Resistance:20mΩ Max.
- 4.Insulation Resistance:500MΩ Min. At DC 500V
- 5.Withstand Voltage:500V AC/Minute
- 6.Operating Temperature:-25°C~+85°C

Material:

- 1.Housing:High Temperature Thermoplastic UL94V-0
- Finish:  
1.Housing:Natural

Part No.: BC07700 XX 1 1 B 3

Number of Pin 10~40  
Packing B:Bag

Housing Material 1:NY66 UL94V-0

40	23.75	26.76
30	17.50	20.51
20	11.25	14.26
10	5.00	8.01
PIN	DIM.A	DIM.B



金上達科技股份有限公司

GOLDENSUND TECHNOLOGY CO.,LTD

TOLERANCE UNLESS OTHERWISE SPECIFIED		PROJ.	TITLE: Wire To Board Housing 1.25mm Dual Row Male			
.x± 0.35	.x'± 2'	APR. Jay 20130325	PART NO. BC07700XX11B3		DWG NO. BC07700XX11B3	
.xx± 0.25	.x'± 1'	CHK. Michelle 20130325	UNITS: mm	CUSTOMER DRAWING		
.xxx± 0.15	.xx'± 0.5'	DRA. Seven 20130325	SIZE: A4	SCALE 6:1	SHEET 1 / 1 REV A1 V	

1 2 3 4 5 6 7 8