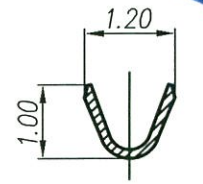
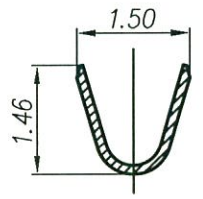
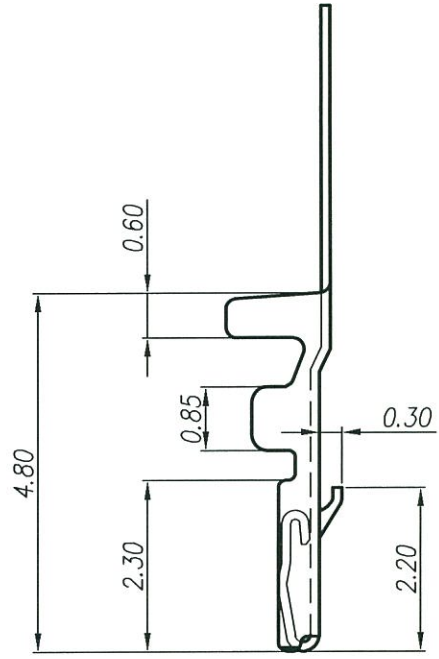
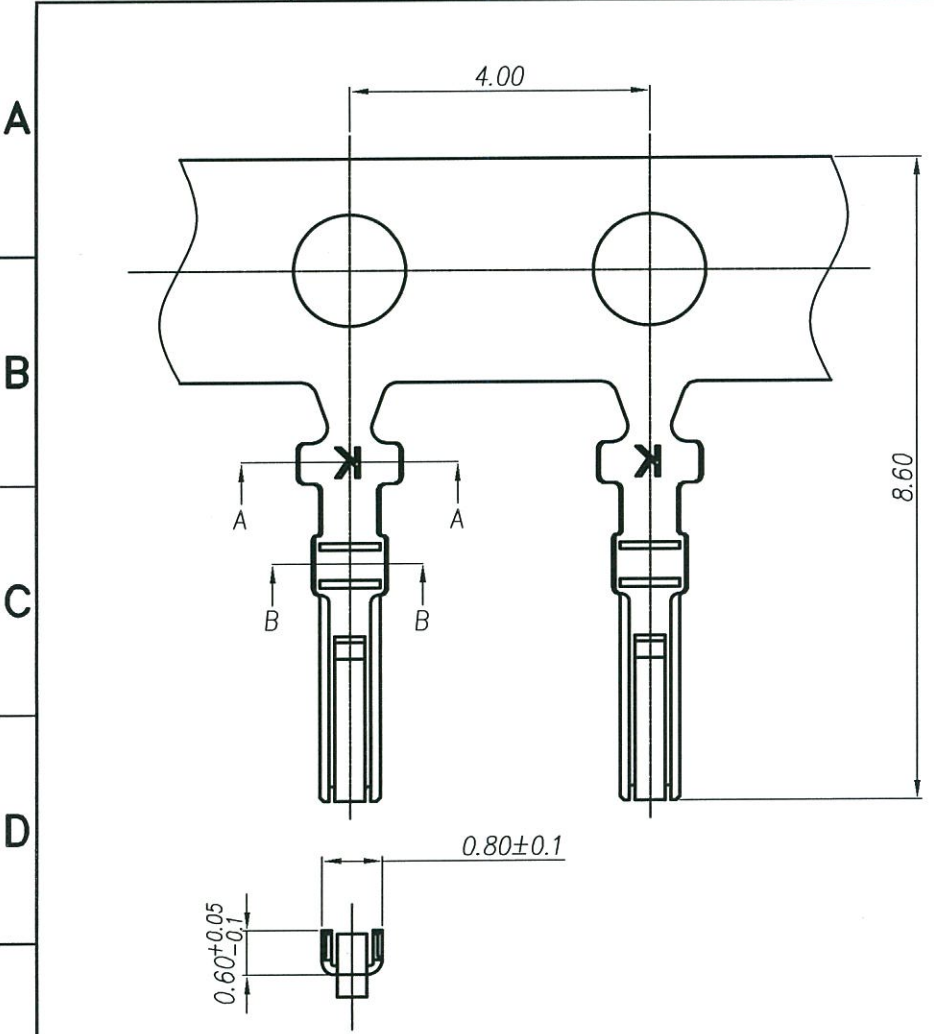


RoHS Compliant


REV	MODIFICATION	DATE	DRAW
A0	Refer to MA20170503	20170531	Abel



Specifications & Order Information:


P/N	Thickness	Material	Wire Range	Insulation O.D.
CC0970008PAAV	0.12mm	Phosphor Bronze	AWG #26~32	1.0mm Max.

Finish	Q'ty/Reel	Mates With (Housing)
Bright Tin	20,000pcs	BC09700XX11BV



金上達科技股份有限公司

GOLDENSUNDA TECHNOLOGY CO.,LTD

TOLERANCE UNLESS OTHERWISE SPECIFIED		PROJ. 	TITLE: Wire To Board Terminal 1.25mm Female		
.x± 0.35	x'± 2'	APR. Jefferson 20170531	PART NO. CC0970008PAAV	DWG NO. CC0970008PAAV	
.xx± 0.25	.x'± 1'	CHK.	UNITS: mm	CUSTOMER DRAWING	
.xxx± 0.15	.xx'± 0.5'	DRA. Abel 20170531	SIZE: A4	SCALE FREE	SHEET 1 / 1
			REV A0	V	