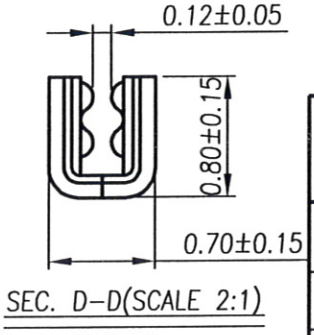
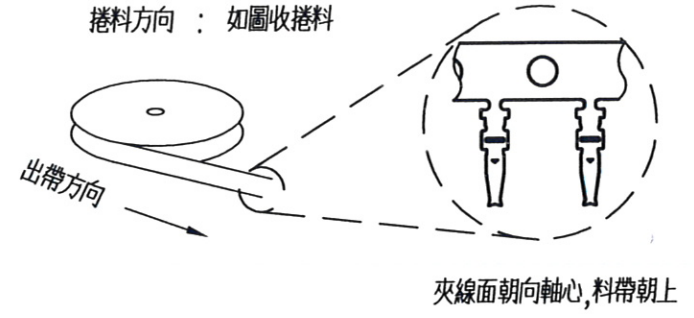
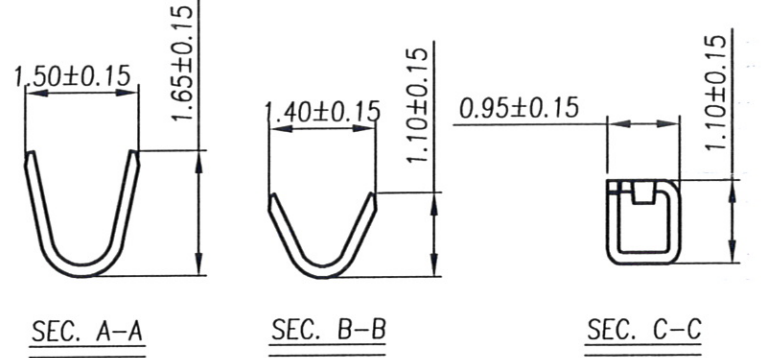
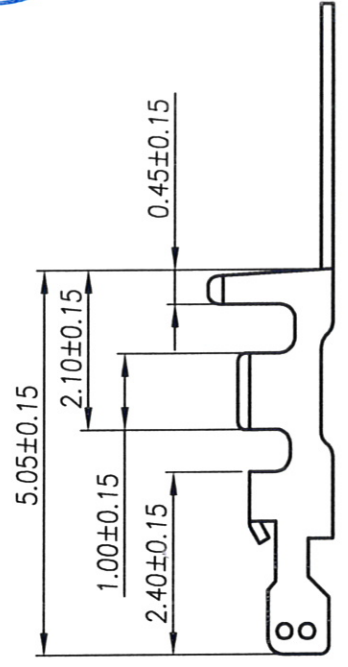
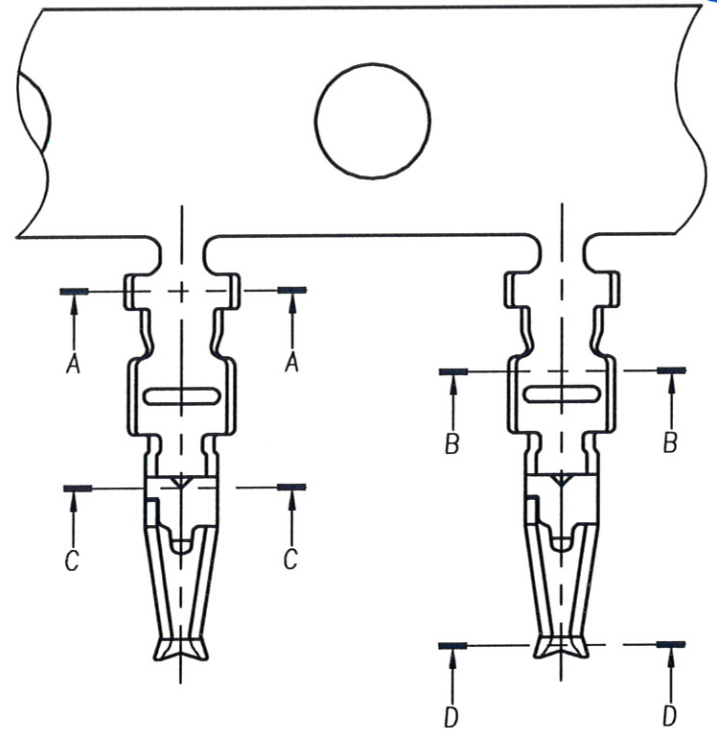


發行
102. 4. 17
文管中心




RoHS Compliant

REV	MODIFICATION	DATE	DRAW
A0	Release To Production	2011.05.04	Seven
A1	Release To ECN20130313	2013.03.29	Seven



Specifications & Ordering Information:

Part No	Thickness	Material	Wire Range
CC0780000P1A4	0.15mm	Phosphor Bronze	AWG #28~32
Insulation O.D.	Finish	Qty/reel	Use With
0.90~0.54mm	BRIGH TIN	15,000PCS	BC07800XXCBB3



金上達科技股份有限公司

GOLDENSUNDA TECHNOLOGY CO.,LTD

TOLERANCE UNLESS OTHERWISE SPECIFIED		PROJ.	TITLE: Wire To Board Terminal 1.25mm				
.x± 0.35	x.'± 2'	APR. Jay 20130329	PART NO. CC0780000P1A4	DWG NO. CC0780000P1A4			
.xx± 0.25	.x'± 1'	CHK. Michelle 20130329	UNITS: mm	CUSTOMER DRAWING			
.xxx± 0.15	.xx'± 0.5'	DRA. Seven 20130329	SIZE: A4			SCALE 10:1	SHEET 1 / 1