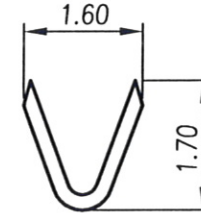
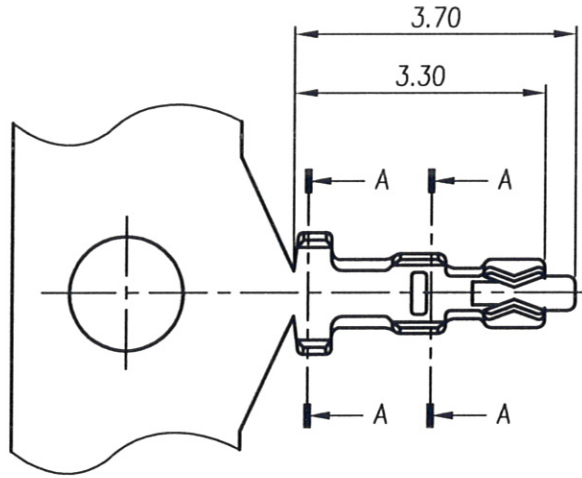


1 2 3 4 5 6 7 8

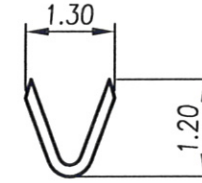


RoHS Compliant

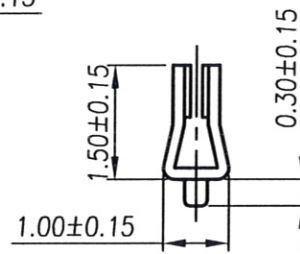
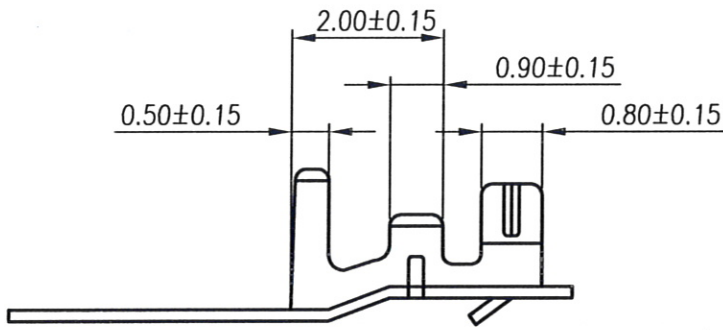
REV	MODIFICATION	DATE	DRAW
A0	Release To Production	2010.04.14	AJ
A1	Release To ECN20130313	2013.03.29	Seven



SEC. A-A




SEC. B-B



Specifications & Ordering Information:

Part No	Thickness	Material	Wire Range	Insulation O.D.
CC0770000P1AC	0.15mm	Phosphor Bronze	AWG #28~32	0.9mm max.

Finish	Qty/reel	Use With(Housing)
Bright Tin	10,000PCS	BC07700XX11BX



金上達科技股份有限公司

GOLDENSUND TECHNOLOGY CO.,LTD

TOLERANCE UNLESS OTHERWISE SPECIFIED		PROJ.	TITLE: Wire To Board Terminal 1.25mm Female		
.x± 0.35	x.± 2'	APR. Jay 20130329	PART NO. CC0770000P1AC	DWG NO. CC0770000P1AC	
.xx± 0.25	.x.± 1'	CHK. Michelle 20130329	UNITS: mm	CUSTOMER DRAWING	
.xxx± 0.15	.xx.± 0.5'	DRA. Seven 20130329	SIZE: A4	SCALE 10:1	SHEET 1 / 1
			REV A1	V	

1 2 3 4 5 6 7 8

A

B

C

D

E

F

A

B

C

D

E

F