

RoHS Compliant

REV	MODIFICATION	DATE	DRAW
A0	Release To PDR20130301	2013.11.14	Michelle

Specification

1. Current Rating: 2.0A AC/DC, AWG#28~#30
2. Contact Resistance: 10mΩ Max.
3. Insulation Resistance: 100MΩ Min.
4. Dielectric Withstanding Voltage: 500VAC/Minute
5. Operating Temperature: -25°C~+85°C

Material:

1. Housing: Thermoplastic UL94V-0

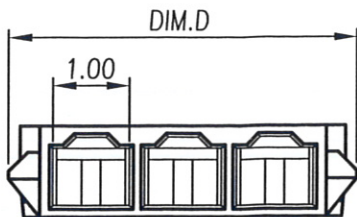
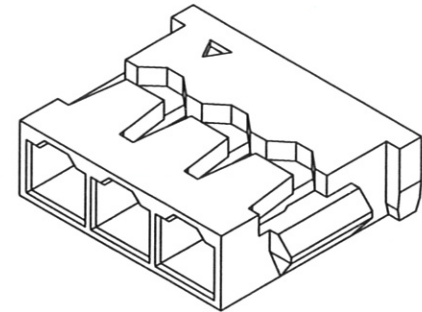
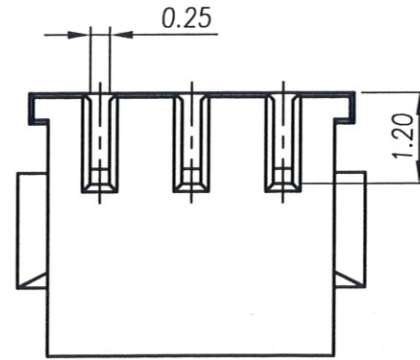
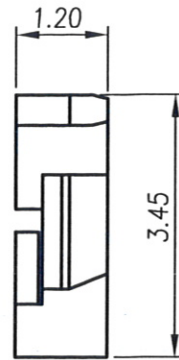
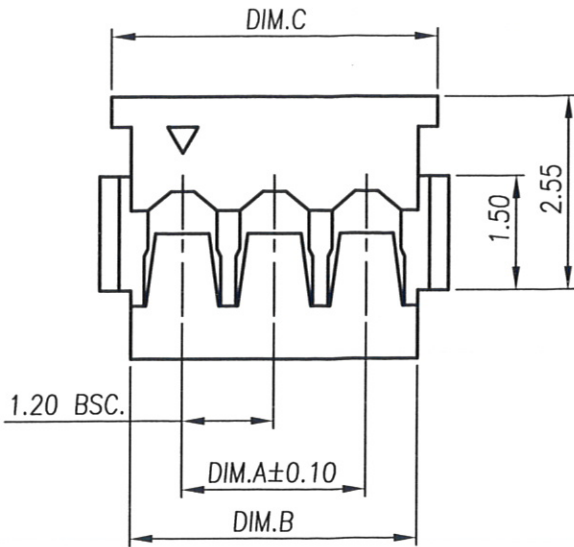
Finish:

1. Housing: Black

Part No.: I-WT05F-XX-001 1

PIN
02~06

Color
1: Black



Pin	DIM.A	DIM.B	DIM.C	DIM.D
02	1.20	2.55	3.05	3.35
03	2.40	3.75	4.25	4.55
04	3.60	4.95	5.45	5.75
05	4.80	6.15	6.65	6.95
06	6.00	7.35	7.85	8.15

TOLERANCE UNLESS OTHERWISE SPECIFIED		PROJ.	TITLE: Wire To Board Housing 1.20mm	
.x± 0.35	x.± 2'	APR. Jefferson 20131114	PART NO. I-WT05F-XX-0011	DWG NO. I-WT05F-01-C-01
.xx± 0.25	.x'± 1'	CHK. Abel 20131114	UNITS: mm	CUSTOMER DRAWING
.xxx± 0.15	.xx'± 0.5'	DRA. Michelle 20131114	SIZE: A4	SCALE 10:1
			SHEET 1 / 1	REV A0