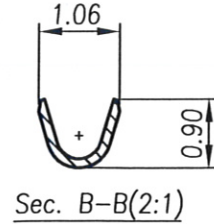
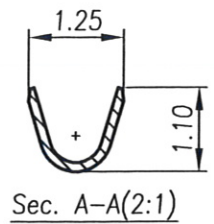
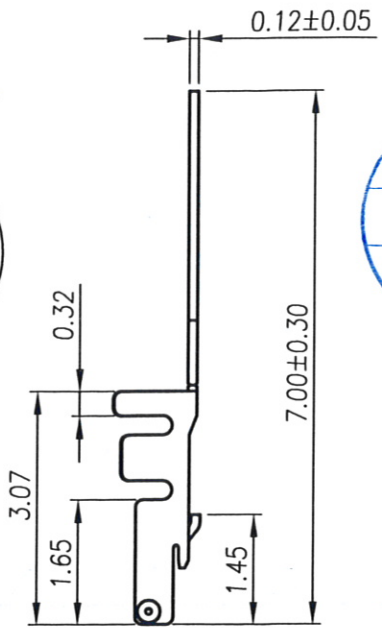
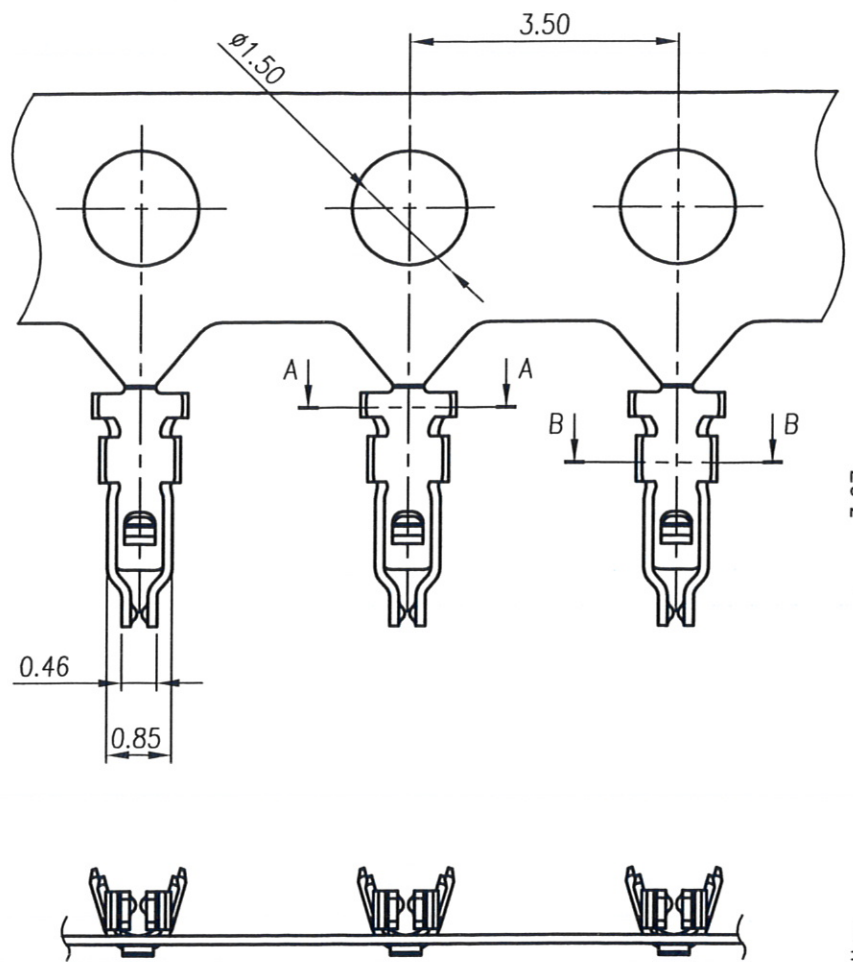
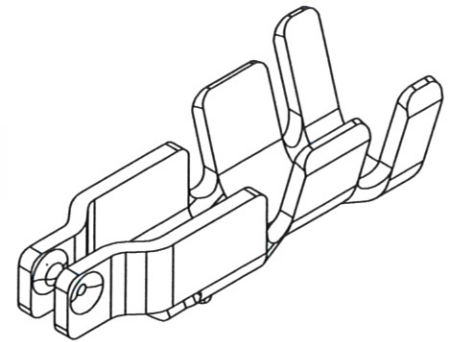


RoHS Compliant

REV	MODIFICATION	DATE	DRAW
A0	Release To PDR20130301	2013.11.14	Michelle



- Specification**
- 1.Current Rating:2.0A AC/DC, AWG#28~#30
 - 2.Voltage Rating:50V AC/DC
 - 3.Contact Resistance:10mΩ Max.
 - 4.Insulation Resistance:100MΩ Min.
 - 5.Dielectric Withstanding Voltage: 500VAC/Minute
 - 6.Operating Temperature:-25℃~+85℃

Material:
1.Contact:Copper Alloy T=0.12mm

Finish:
1.Contact:See P/N Option


Part No.: T-WT05F-01-203 X

Plating

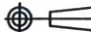
- 3:Gold Flash Over Nickel
- 4:Gold Plated 3u" On Contact Area.

Specifications & Ordering Information:

P/N	Thickness	Material	Wire Range	Finish	Q'ty / Reel
T-WT05F-01-203X	0.12mm	PHOS.	AWG #28~30	See P/N Option	20000pcs



金上達科技股份有限公司
GOLDENSUND TECHNOLOGY CO.,LTD

TOLERANCE UNLESS OTHERWISE SPECIFIED		PROJ. 	TITLE: Wire To Board Terminal 1.20mm	
.x± 0.35	x.± 2'	APR. Jefferson 20131114	PART NO. T-WT05F-01-203X	DWG NO. T-WT05F-01-C-01
.xx± 0.25	.x'± 1'	CHK. Abel 20131114	UNITS: mm	
.xxx± 0.15	.xx'± 0.5'	DRG. Michelle 20131114	SIZE: A4	SCALE 10:1
			SHEET 1 / 1	REV A0
CUSTOMER DRAWING				

A
B
C
D
E
F

A
B
C
D
E
F

1 2 3 4 5 6 7 8