
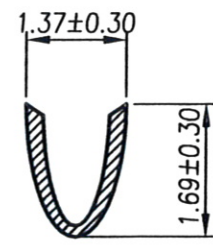
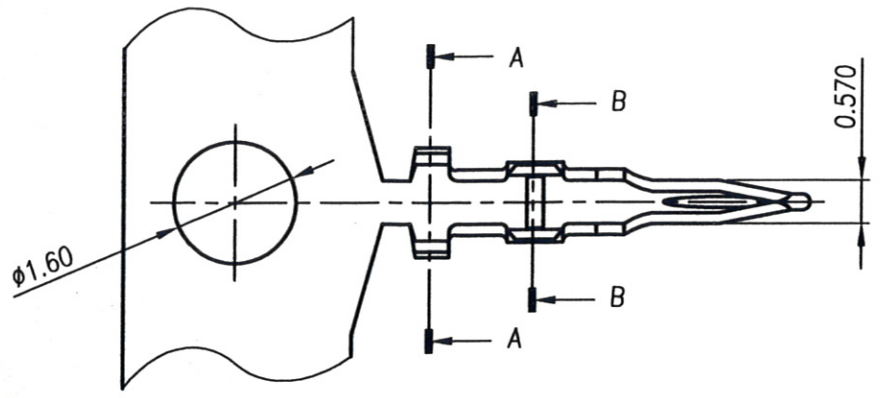
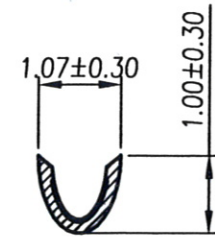


RoHS Compliant 

REV	MODIFICATION	DATE	DRAW
A0	Release To Production	2009.02.04	Abel
A1	Release To ECN20130313	2013.03.29	Seven
A2	Release To ECN20150308	2015.03.16	Michelle

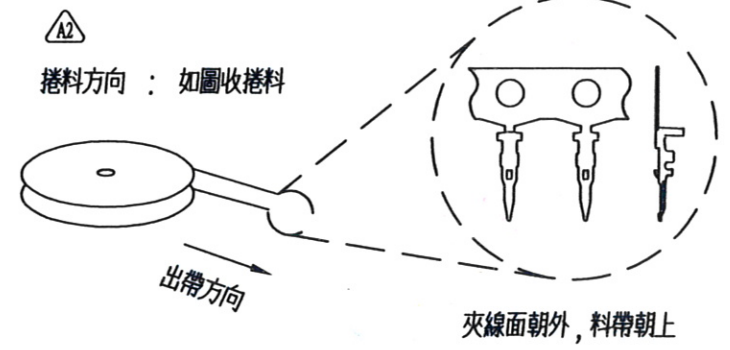
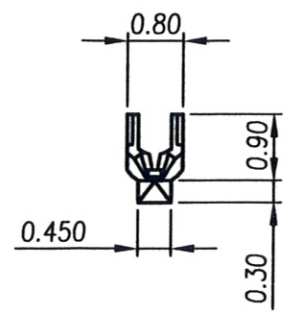
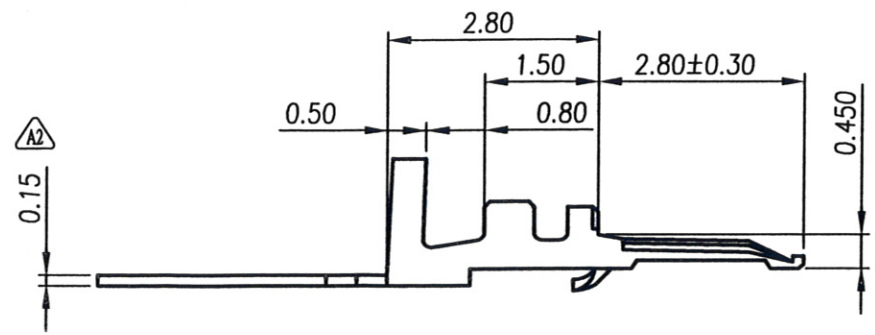


SEC. A-A



SEC. B-B

PART NO.:
CC0760500P 1 A 2
Plating
1: Bright Tin




Specifications & Ordering Information:

Part No	Thickness	Material	Wire Range
CC0760500P1A2	0.15mm	Phosphor Bronze	AWG #28~32


Finish	Qty/reel	Use With(Housing)
Bright Tin	15,000PCS	BC07605XXX2B2

發行
104. 3. 16
文管中心



金上達科技股份有限公司

GOLDENSUNDA TECHNOLOGY CO.,LTD

TOLERANCE UNLESS OTHERWISE SPECIFIED		PROJ. 	TITLE: Wire To Board Terminal 1.25mm 180° Board In	
.x± 0.35	x.'± 2'	APR. C.F.Liao 20150316	PART NO. CC0760500P1A2	DWG NO. CC0760500P1A2
.xx± 0.25	.x'± 1'	CHK. Abel 20150316	UNITS: mm	
.xxx± 0.15	.xx± 0.5'	DRA. Michelle 20150316	CUSTOMER DRAWING	
		SIZE: A4	SCALE 10:1	SHEET 1 / 1
			REV A2	V