

REV	MODIFICATION	DATE	DRAW
A0	Release To FAI20120361&68	2012.04.03	Seven
A1	Release To ECN20130308	2013.03.25	Seven
A2	Release To ECN20150510	2015.05.28	Michelle



RoHS Compliant

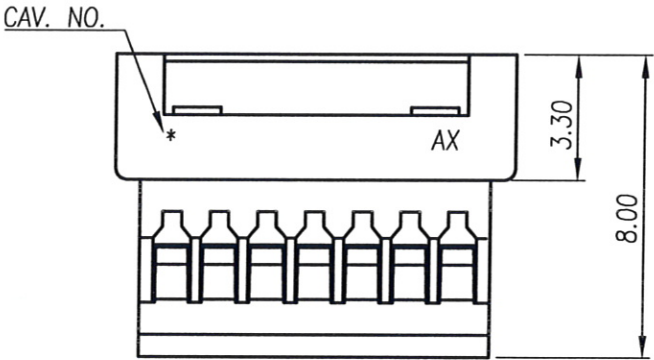
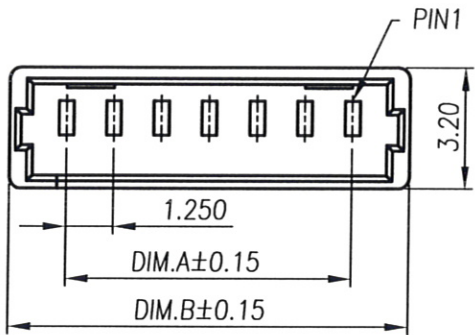
Specification
 1.Current Rating:1A AC/DC
 2.Voltage Rating:125V AC/DC
 3.Contact Resistance:20mΩ Max.
 4.Insulation Resistance:100MΩ Min.
 5.Withstand Voltage:AC250V/Minute
 6.Operating Temperature:-40°C~+85°C

Material:
 1.Housing:Thermoplastic UL94V-0

Finish:
 1.Housing:Natural

Use With :
 1.Terminal:CC0760100P1AN

Part No.: BC07601 XX 7 1 B M
 No. Of Pin: 02~15
 Packing B: Bag
 Housing Material: 7:PBT UL94V-0



PIN	DIM.A	DIM.B	PIN	DIM.A	DIM.B
02	1.25	4.25	09	10.00	13.00
03	2.50	5.50	10	11.25	14.25
04	3.75	6.75	11	12.50	15.50
05	5.00	8.00	12	13.75	16.75
06	6.25	9.25	13	15.00	18.00
07	7.50	10.50	14	16.25	19.25
08	8.75	11.75	15	17.50	20.50

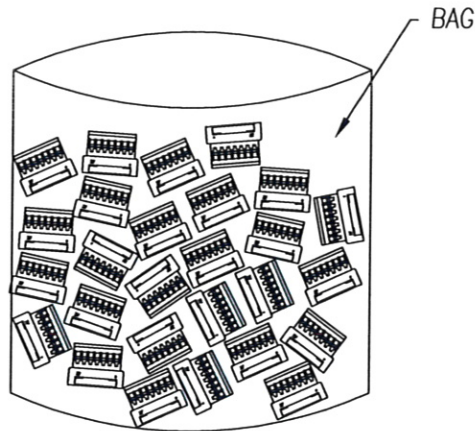
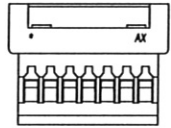
金上達科技股份有限公司
GOLDENSUNDA TECHNOLOGY CO.,LTD

TOLERANCE UNLESS OTHERWISE SPECIFIED		PROJ.	TITLE: Wire To Wire Housing 1.25mm Female Single Row	
.x± 0.35	x.*± 2'	APR. C.F.Liao 20150528	PART NO. BC07601XX71BM	DWG NO. BC07601XX71BM
.xx± 0.25	.x.*± 1'	CHK. Abel 20150528	UNITS: mm	CUSTOMER DRAWING
.xxx± 0.15	.xx.*± 0.5'	DRA. Michelle 20150528	SIZE: A4	SCALE 5:1
		SHEET 1 / 2		REV A2 V

RoHS Compliant

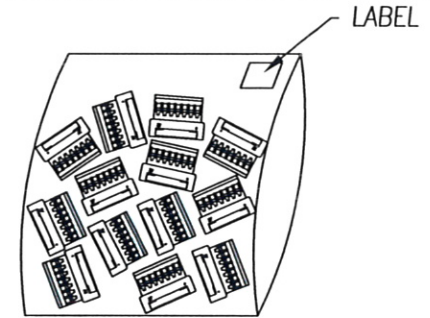


REV	MODIFICATION	DATE	DRAW
A0	Release To FAI20120361&68	2012.04.03	Seven
A1	Release To ECN20130308	2013.03.25	Seven
A2	Release To ECN20150510	2015.05.28	Michelle

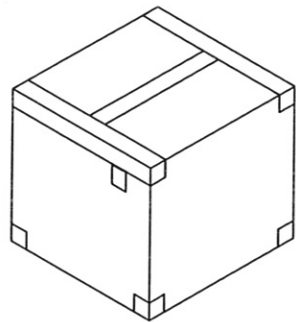
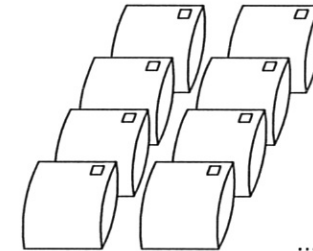


CONNECTOR INTO THE BAG

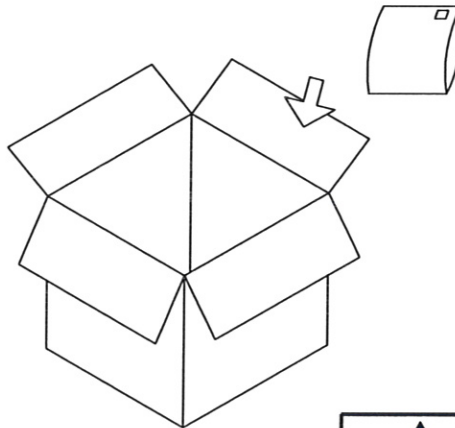
PIN	Q'TY
02~15	1000



SEAL THE BAG



CLOSE CARTON WITH TAPE.



PUT INTO THE CARTON, Q'TY BY ORDER.



		金上達科技股份有限公司 GOLDENSUND TECHNOLOGY CO.,LTD					
TOLERANCE UNLESS OTHERWISE SPECIFIED .x± 0.35 x.*± 2* .xx± 0.25 .x*± 1* .xxx± 0.15 .xx*± 0.5*		PROJ. APR. C.F.Liao 20150528 CHK. Abel 20150528 DRA. Michelle 20150528		TITLE: Wire To Wire Housing 1.25mm Female Single Row PART NO. BC07601XX71BM UNITS: mm SIZE: A4		DWG NO. BC07601XX71BM CUSTOMER DRAWING SCALE Free SHEET 2 / 2 REV A2 V	