

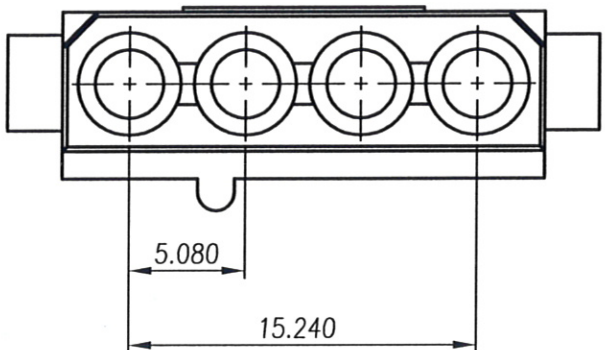
1 | 2 | 3 | 4 | 5 | 6 | 7 | 8



RoHS Compliant

REV	MODIFICATION	DATE	DRAW
A1	Release To ECN20130307	2013.03.27	Seven
A2	Release To ECN20141108	2014.11.26	Michelle
A3	Release To ECN20150605	2015.06.09	Michelle

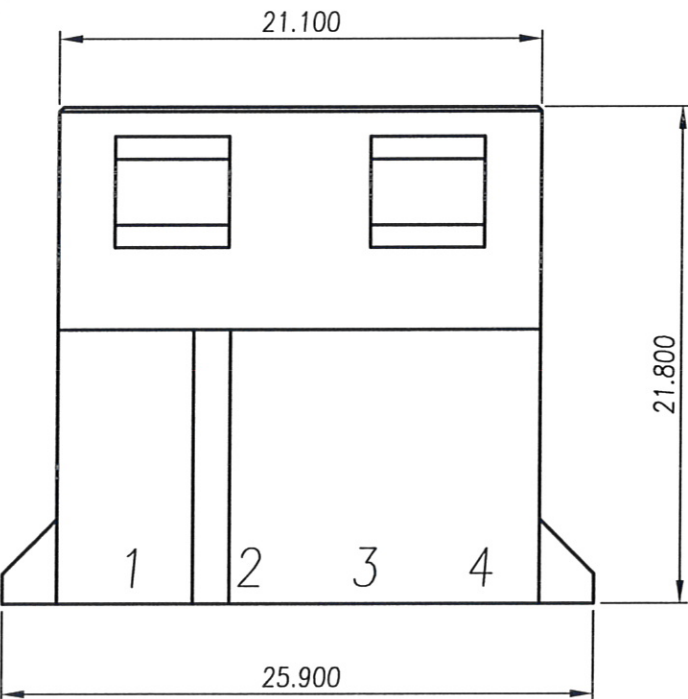
A



B

- Specification**
- A2 1.Current Rating:7A AC/DC
 - 2.Voltage Rating:250V AC/DC
 - 3.Contact Resistance:10mΩ Max.
 - 4.Insulation Resistance:1000MΩ Min.
 - 5.Withstand Voltage:AC1500V/Minute
 - 6.Operating Temperature:-25°C~+85°C
- Material:**
- 1.Housing:Thermoplastic UL94V-2

C



- A3 **Finish:**
- 1.Housing:Natural

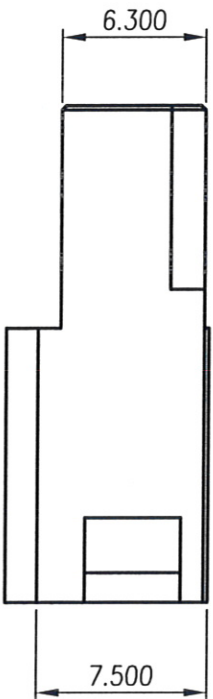
- A3 **Use With:**
- 1.Terminal:CC0050100B1AM

Part No.: BC00501 04 0 1 B 2


No. Of Pin: 04
Packing: B:Bag (500pcs)

Housing Material: 0:NY66 UL94V-2
Housing Color: 1:Natural

D

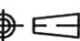


E



金上達科技股份有限公司

GOLDENSUND TECHNOLOGY CO.,LTD

TOLERANCE UNLESS OTHERWISE SPECIFIED		PROJ. 	TITLE: Wire To Wire Housing 5.08mm Female Single Row	
.x± 0.35	x.'± 2'	APR. C.F.Liao 20150609	PART NO. BC005010401B2	DWG NO. BC005010401B2
.xx± 0.25	.x'± 1'	CHK. Abel 20150609	UNITS: mm CUSTOMER DRAWING	
.xxx± 0.15	.xx'± 0.5'	DRA Michelle 20150609	SIZE: A4	SCALE 3:1 SHEET 1 / 1 REV A3 V

F

1 | 2 | 3 | 4 | 5 | 6 | 7 | 8