

1 2 3 4 5 6 7 8

 **RoHS Compliant**

REV	MODIFICATION	DATE	DRAW
A0	Release To FAI20120362	2012.04.03	Seven
A1	Release To ECN20130313	2013.03.29	Seven

A

A

B

B

C

C

D

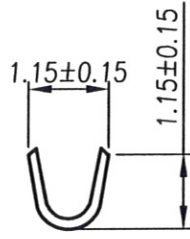
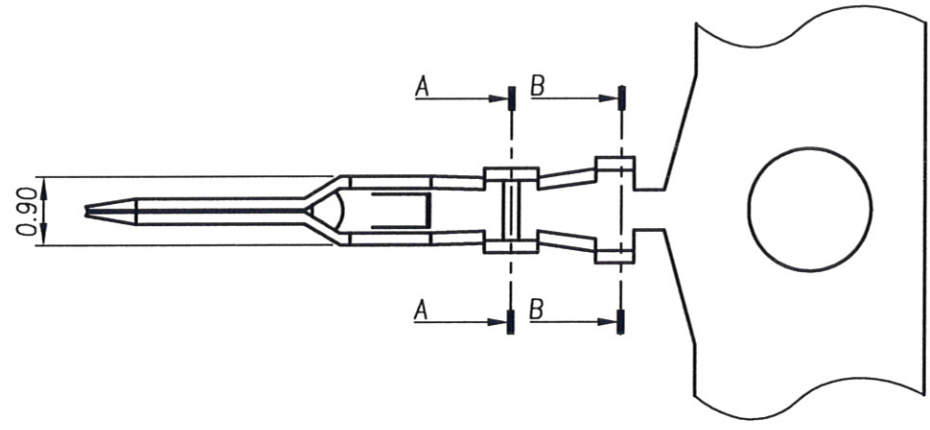
D

E

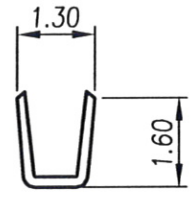
E

F

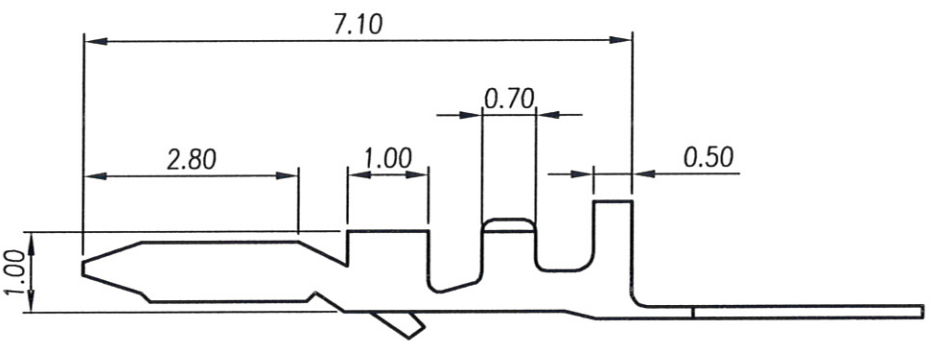
F



SEC. A-A




SEC. B-B



Specifications & Ordering Information:


Part No	Thickness	Material	Wire Range	Insulation O.D.
CC0760100P1AN	0.15mm	Phosphor Bronze	AWG #28~32	0.9mm max.

Finish	Qty/reel	Use With(Housing)
Bright Tin	15,000PCS	BC07601XX71BM



金上達科技股份有限公司

GOLDENSUNDA TECHNOLOGY CO.,LTD

TOLERANCE UNLESS OTHERWISE SPECIFIED		PROJ. 	TITLE: Wire To Board Terminal 1.25mm Male			
.x± 0.35	x.*± 2'	APR. Jay 20130329	PART NO. CC0760100P1AN	DWG NO. CC0760100P1AN		
.xx± 0.25	.x*± 1'	CHK. Michelle 20130329	UNITS: mm	CUSTOMER DRAWING		
.xxx± 0.15	.xx*± 0.5'	DRA. Seven 20130329	SIZE: A4	SCALE 10:1	SHEET 1 / 1	
			REV A1	V		

1 2 3 4 5 6 7 8