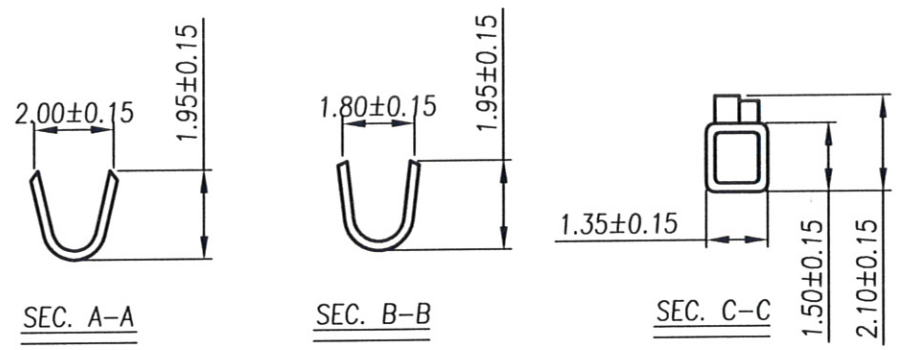
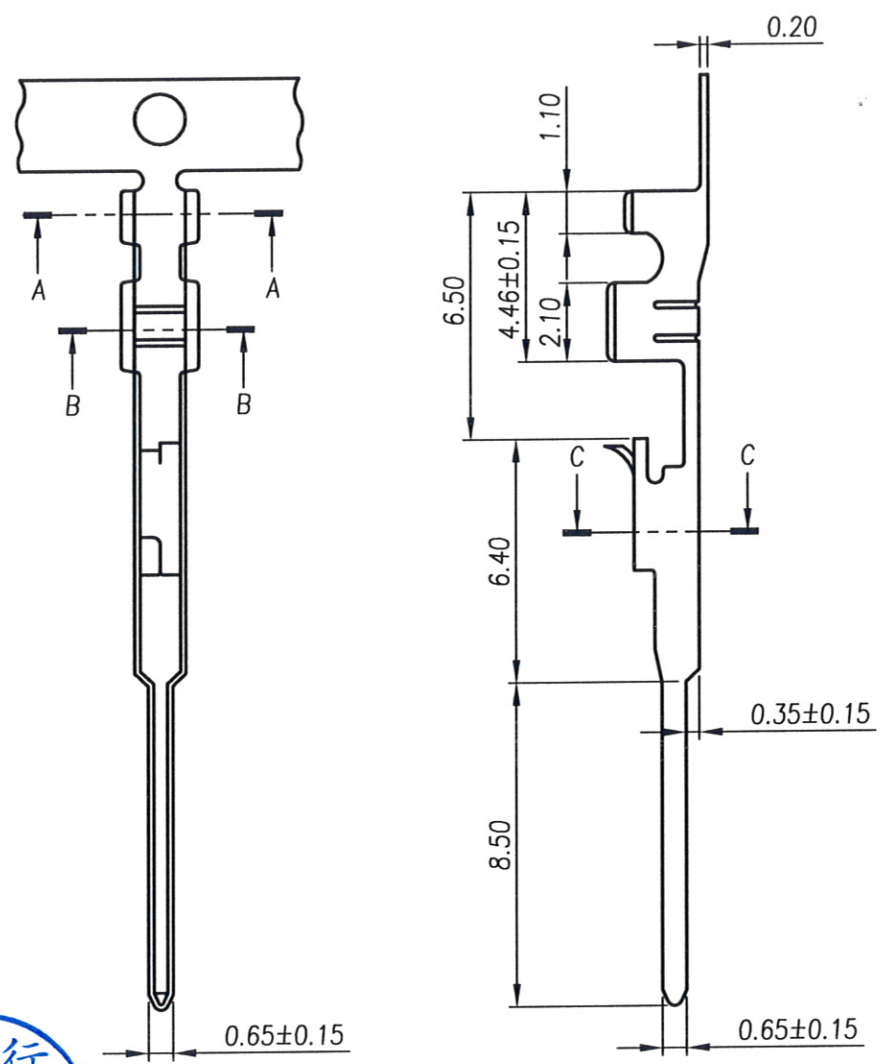


1 2 3 4 5 6 7 8

A  
B  
C  
D  
E  
F

 **RoHS Compliant**

REV	MODIFICATION	DATE	DRAW
A0	Release To Product	2009.08.14	Abel
A1	Release To ECN20130313	2013.03.29	Seven




Specifications & Ordering Information:

Part No	Thickness	Material	Wire Range	Insulation O.D.
CC0410100P1AA	0.20mm	Phosphor Bronze	AWG #24~28	

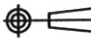
Finish	Qty/reel	Use With(Housing)
BRIGH TIN	15,000PCS	BC04101XX73B8





## 金上達科技股份有限公司

**GOLDENSUNDA TECHNOLOGY CO.,LTD**

TOLERANCE UNLESS OTHERWISE SPECIFIED		PROJ. 	TITLE: Wire To Board Terminal 2.54mm			
.x± 0.35	x.'± 2'	APR. Jay 20130329	PART NO. CC0410100P1AA		DWG NO. CC0410100P1AA	
.xx± 0.25	.x'± 1'	CHK. Michelle 20130329	UNITS: mm	<b>CUSTOMER DRAWING</b>		
.xxx± 0.15	.xx'± 0.5'	DRA. Seven 20130329	SIZE: <b>A4</b>	SCALE 5:1	SHEET 1 / 1	
			REV A1	V		

1 2 3 4 5 6 7 8