

RoHS Compliant

REV	MODIFICATION	DATE	DRAW
A3	Release To ECN20130922	2013.09.18	Michelle
A4	Release To ECN20140305	2014.03.18	Michelle
A5	Release To ECN20140407	2014.04.24	Michelle

Specification

- 1.Current Rating:1A
- 2.Voltage Rating:12V AC Max.
- 3.Contact Resistance:20mΩ Max.
- 4.Insulation Resistance:1000MΩ Min.
- 5.Dielectric Withstanding Voltage:AC500V/Minute
- 6.Operating Temperature:-40°C~+105°C

Material:

- 1.Housing:High Temperature Thermoplastic UL94V-0 (H/F)
- 2.Contact Pin:Copper Alloy SQ. Pin 0.40mm
- 3.Cap:High Temperature Thermoplastic UL94V-0

Finish:

- 1.Housing:Black
- 2.Contact Pin:Gold Plated 0.60u" On Contact Area
- 2.Cap:Black

Part No.: ES00658 XX 4 3 X F

Number Of Pin
06~100(=A0)


Packing
0:T&R With Cap
B:Bag

Housing Material
4:HTN UL94V-0 Black (H/F)

Plating
3:Gold Plated 0.60u" On Contact Area

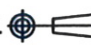


P/N	DIM.A	DIM.B	DIM.C
ES00658XX43XF	5.50	3.00	1.40



金上達科技股份有限公司

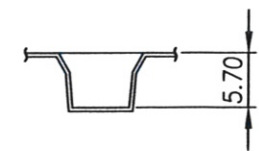
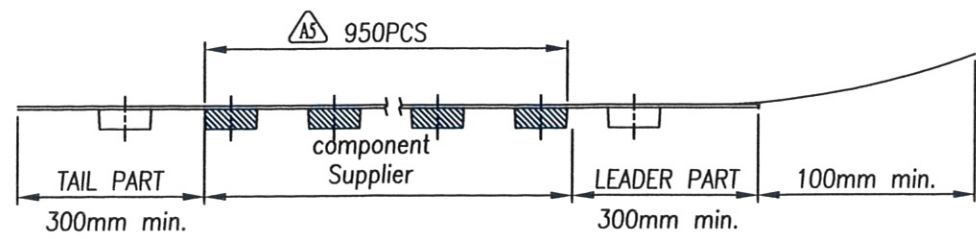
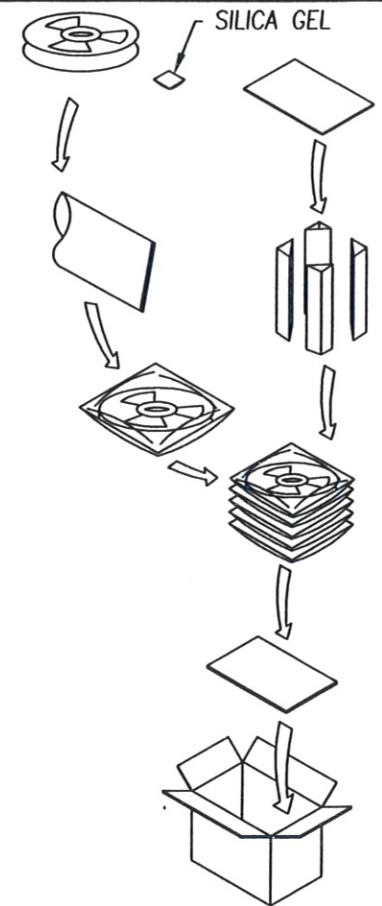
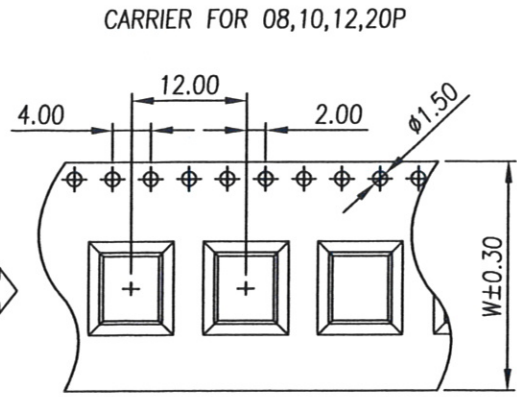
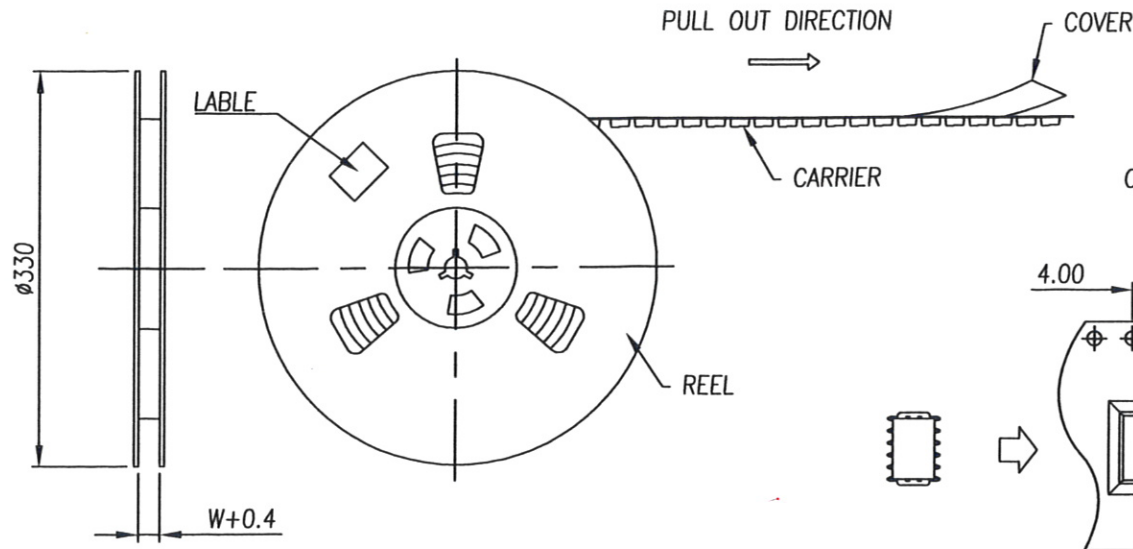
GOLDENSUND TECHNOLOGY CO.,LTD

TOLERANCE UNLESS OTHERWISE SPECIFIED		PROJ. 	TITLE: Pin Header 1.27mm 180' H=1.00 SMT Dual Row		
.x± 0.35	x.± 2'	APR. C.F. Liao 20140424	PART NO. ES00658XX43XF	DWG NO. ES00658XX43XF	
.xx± 0.25	.x± 1'	CHK. Abel 20140424	UNITS: mm	CUSTOMER DRAWING	
.xxx± 0.15	.xx± 0.5'	DRAW. Michelle 20140424	SIZE: A4	SCALE 6:1	SHEET 1 / 2
			REV A5	V	

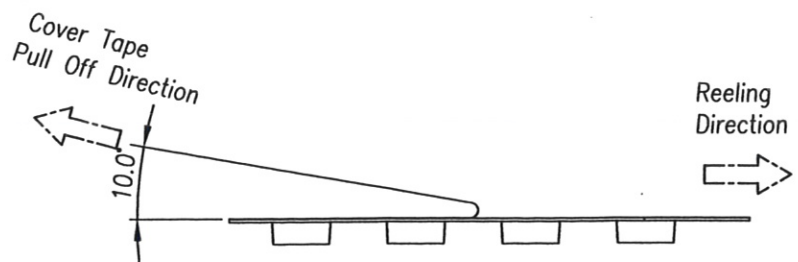
REV	MODIFICATION	DATE	DRAW
A3	Release To ECN20130922	2013.09.18	Michelle
A4	Release To ECN20140305	2014.03.18	Michelle
A5	Release To ECN20140407	2014.04.18	Michelle

A
B
C
D
E
F

A
B
C
D
E
F




Notes:
1.Part No.: ES00658XX430F



發行
103. 4. 24
文管中心

PIN NO.	W	PCS/REEL
08	16	950 Δ S
10		
12	24	
20		

RoHS Compliant



金上達科技股份有限公司

GOLDENSUND TECHNOLOGY CO.,LTD

TOLERANCE UNLESS OTHERWISE SPECIFIED		PROJ. ϕ	TITLE: Pin Header 1.27mm 180' H=1.00 SMT Dual Row	
.x± 0.35	x:± 2'	APR. C.F. Liao 20140424	PART NO. ES00658XX43XF	DWG NO. ES00658XX43XF
.xx± 0.25	.x:± 1'	CHR. Abel 20140424	CUSTOMER DRAWING	
.xxx± 0.15	.xx:± 0.5'	DRA. Michelle 20140424	UNITS: mm	SCALE Free
		SIZE: A4	SHEET 2 / 2	REV A5

1 | 2 | 3 | 4 | 5 | 6 | 7 | 8