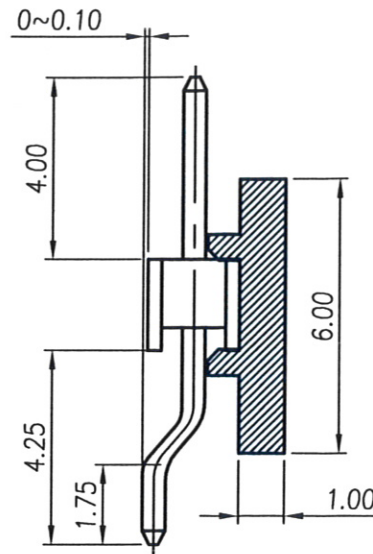
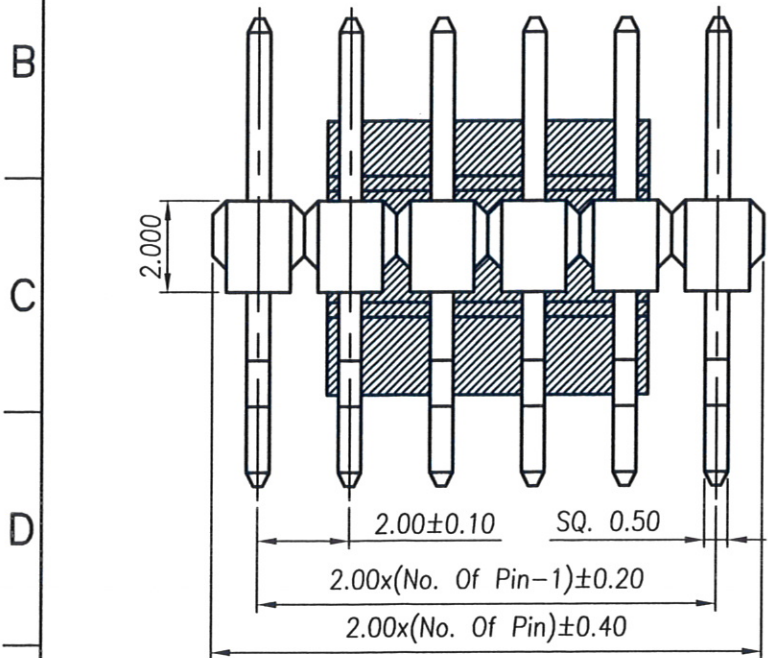


REV	MODIFICATION	DATE	DRAW
A0	Refer To MA20140509	2014.05.27	Michelle

RoHS Compliant



Specification

1. Current Rating: 1A
2. Contact Resistance: 20mΩ Max.
3. Insulation Resistance: 1000MΩ Min.
4. Dielectric Withstanding Voltage: AC500V/Minute
5. Operating Temperature: -55°C ~ +105°C

Material:

1. Housing: High Temperature Thermoplastic UL94V-0
2. Contact Pin: Copper Alloy SQ. Pin 0.50mm
3. Cap: High Temperature Thermoplastic UL94V-0

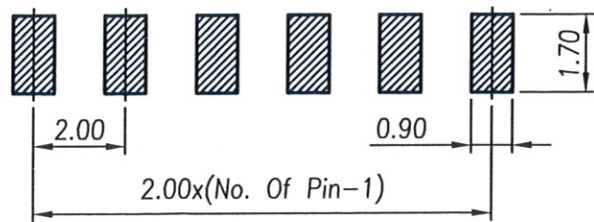
Finish:

1. Housing: Black
2. Contact Pin: SEE P/N Option
3. Cap: Black

Part No.: HEABM-41202-XX 1 3 X

Number of Pin
02~40
Cap
1: With Cap

Plating
3: Gold Plated 0.60u" Over Ni
4: Gold Plated 3u" Over Ni
5: Gold Plated 10u" Over Ni
Packing
3: T&R



RECOMMENDED PCB LAYOUT
(TOLERANCE: ±0.05)



TOLERANCE UNLESS OTHERWISE SPECIFIED		PROJ.	TITLE: Pin Header 2.00mm 90° H=2.00 SMT Single Row			
.x± 0.35	x.± 2'	APR. C.F.Liao 20140527	PART NO. HEABM-41202-XX13X	DWG NO. HEABM-412-C-01		
.xx± 0.25	.x± 1'	CHK. Abel 20140527	UNITS: mm	CUSTOMER DRAWING		
.xxx± 0.15	.xx± 0.5'	DRAW. Michelle 20140527	SIZE: A4	SCALE: 6:1	SHEET 1 / 1	REV A0 V