

P/N	DIM.A	DIM.B	DIM.C
ED041G2XX8XBF	10.30	4.80	3.00
ED04156XX8XBF	11.50	6.00	3.00
ED04150XX8XBF	13.10	6.80	3.80
ED04151XX8XBF	13.80	8.10	3.20
ED04160XX8XBF	15.00	8.70	3.80
ED041H9XX8XBF	15.00	9.00	3.50
ED041G7XX8XBF	15.30	9.00	3.80

REV	MODIFICATION	DATE	DRAW
B0	Release To ECN20131001	2013.10.04	Michelle
B1	Release To ECN20150110	2015.01.26	Michelle
B2	Release To ECN20150203	2015.02.04	Michelle

RoHS Compliant

Specification

- 1.Current Rating:3A
- 2.Voltage Rating:250V AC/DC
- 3.Contact Resistance:20mΩ Max.
- 4.Insulation Resistance:5000MΩ Min.
- 5.Dielectric Withstanding Voltage:AC500V/Minute
- 6.Operating Temperature:-25°C~+85°C

Material:

- 1.Housing:Thermoplastic UL94V-0
- 2.Contact Pin:Copper Alloy SQ. Pin 0.64mm

Finish:

- 1.Housing: Black
 - 2.Contact Pin:See P/N Option
- Part No.: ED041 XX XX 8 X B F
See P/N Option

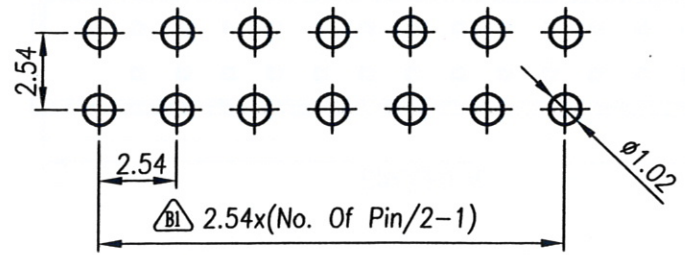
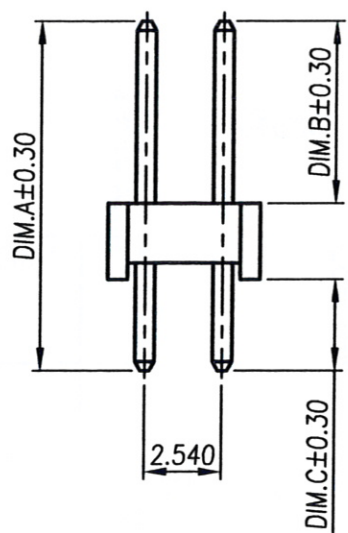
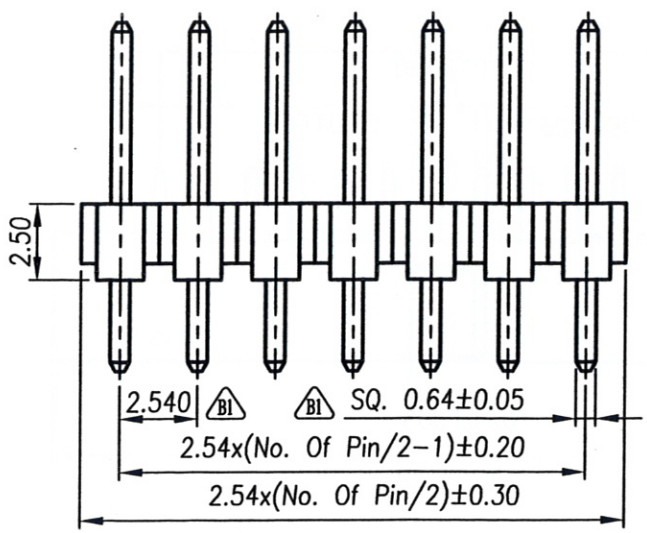
Number Of Pin
02~80

Packing
B:Bag

Housing Material
8:PBT UL94V-0 Black

Plating
BI 3:Gold Plated 0.60u" Avg.
Over Nickel

BO 4:Gold Plated 3u" Avg.
Over Nickel



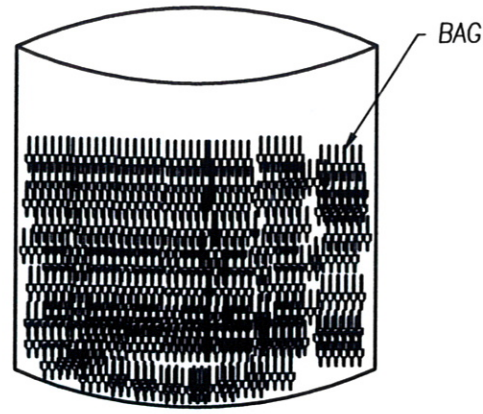
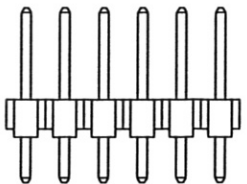
RECOMMENDED P.C.B LAYOUT



		金上達科技股份有限公司 GOLDENSUNDA TECHNOLOGY CO.,LTD			
		TOLERANCE UNLESS OTHERWISE SPECIFIED		TITLE: Pin Header 2.54mm 180° H=2.50 DIP Dual Row	
.x± 0.35	x.± 2'	APR. C.F.Liao 20150204	PART NO. ED041XXXX8XBF	DWG NO. ED041XXXX8XBF	
.xx± 0.25	.x'± 1'	CHK. Abel 20150204	UNITS: mm		CUSTOMER DRAWING
.xxx± 0.15	.xx'± 0.5'	DRA. Michelle 20150204	SIZE: A4	SCALE 4:1	SHEET 1 / 2 REV B2 V

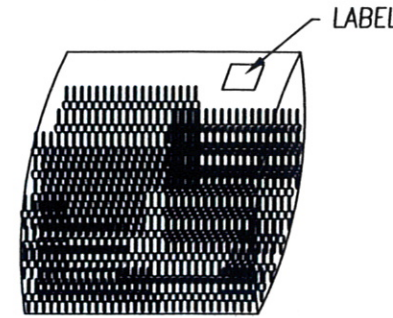
RoHS Compliant

REV	MODIFICATION	DATE	DRAW
B0	Release To ECN20131001	2013.10.04	Michelle
B1	Release To ECN20150110	2015.01.26	Michelle
B2	Release To ECN20150203	2015.02.04	Michelle

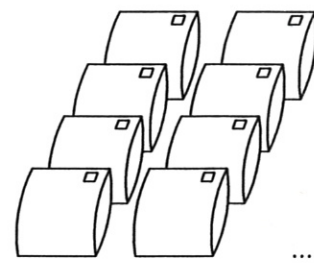


CONNECTOR INTO THE BAG

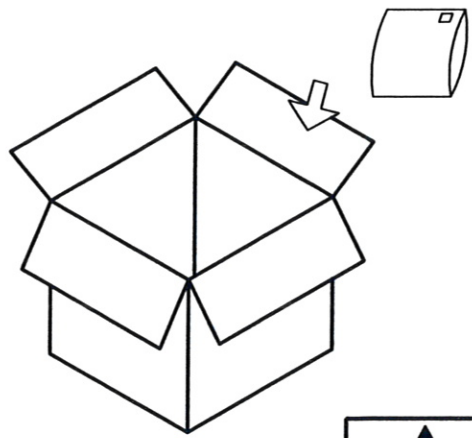
PIN	Q'TY
02~20	1000
22~30	500
32~80	250



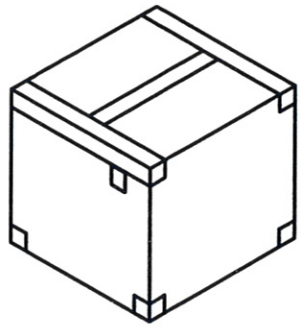
SEAL THE BAG



....



INTO THE CARTON, QT'Y BY OTHER.



CLOSE CARTON WITH TAPE.



		金上達科技股份有限公司 GOLDENSUNDA TECHNOLOGY CO.,LTD							
		TOLERANCE UNLESS OTHERWISE SPECIFIED		PROJ.		TITLE: Pin Header 2.54mm 180° H=2.50 DIP Dual Row			
.x± 0.35	x.'± 2'	APR. C.F.Liao 20150204		PART NO. ED041XXXX8XBF		DWG NO. ED041XXXX8XBF			
.xx± 0.25	.x'± 1'	CHK. Abel 20150204		UNITS: mm		CUSTOMER DRAWING			
.xxx± 0.15	.xx'± 0.5'	DRA Michelle 20150204		SIZE: A4		SCALE Free	SHEET 2 / 2	REV B2	V