

P/N	DIM.A	DIM.B	DIM.C
ES04127XX43XF	7.62	6.00	3.14
ES04138XX43XF	7.30	5.90	3.84
ES04179XX43XF	7.50	6.00	3.30

REV	MODIFICATION	DATE	DRAW
B2	Release To ECN20150208	2015.02.12	Michelle
B3	Release To ECN20150804	2015.08.06	Michelle
B4	Release To ECN20151003	2015.10.27	Abel

RoHS Compliant

- Specification
- 1.Current Rating:3A AC/DC
 - 2.Voltage Rating:25V AC Max.
 - 3.Contact Resistance:20mΩ Max.
 - 4.Insulation Resistance:5000MΩ Min.
 - 5.Dielectric Withstanding Voltage:AC500V/Minute
 - 6.Operating Temperature:-40°C~+105°C

- Material:
- 1.Housing:High Temperature Thermoplastic UL94V-0
 - 2.Contact Pin:Copper Alloy SQ. Pin 0.64mm
 - 3.Cap:High Temperature Thermoplastic UL94V-0

- Finish:
- 1.Housing:Black
 - 2.Contact Pin: Gold Plated 0.60u" Avg. Over Nickel
 - 3.Cap:Black

Part No.: ES041 XX XX 4 3 X F

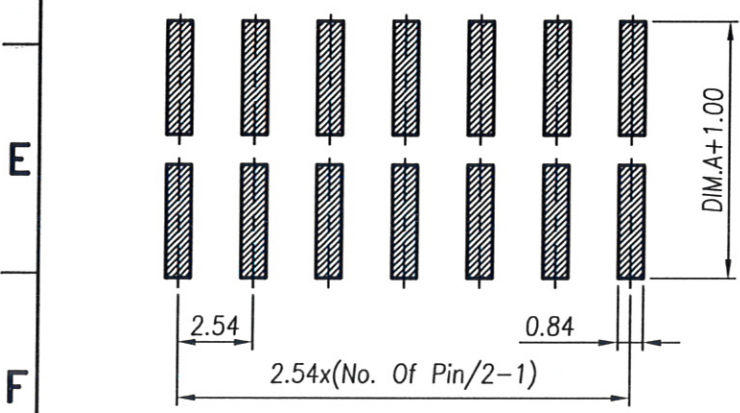
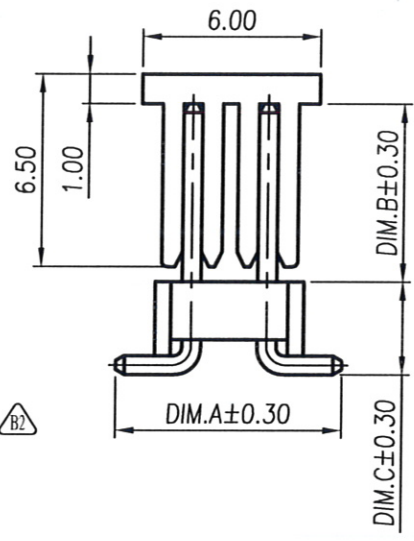
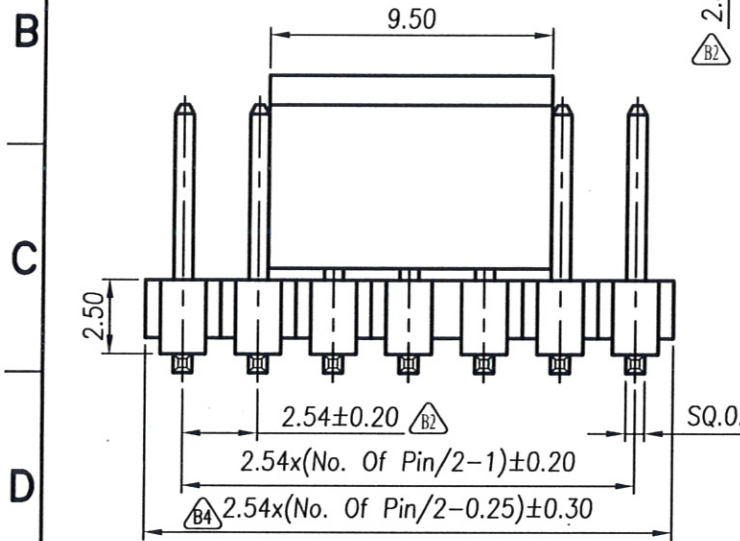
See P/N Option

No. Of Pin
04~80

Packing B2
0:T&R W/Cap T:Tube
3:Tube W/Cap R:T&R
B:Bag

Housing Material
4:HTN UL94V-0 Black H.F

Plating B2 B4
3:Gold Plated



RECOMMENDED P.C.B LAYOUT

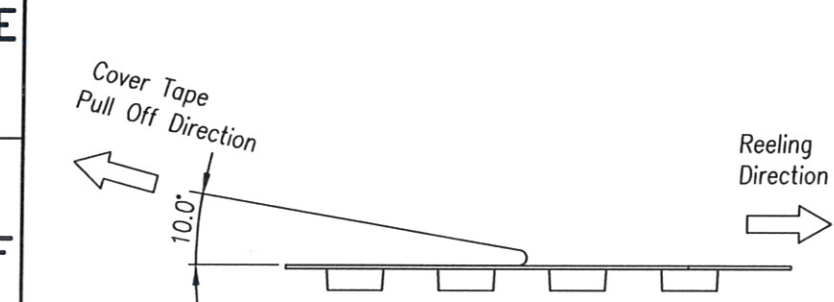
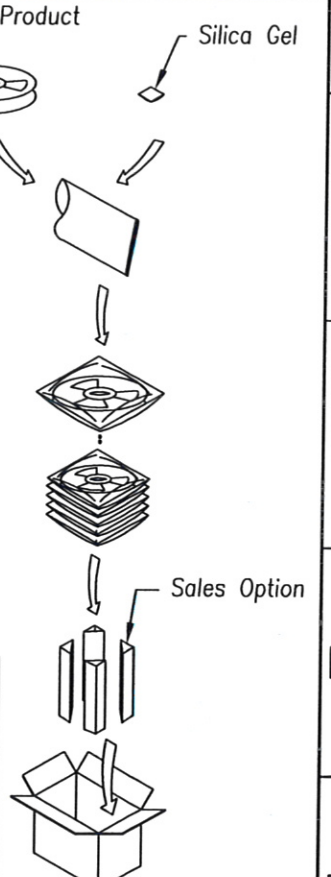
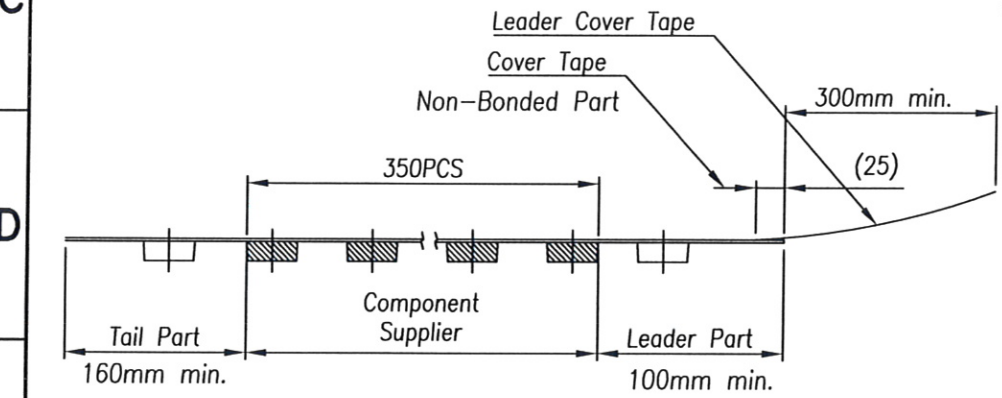
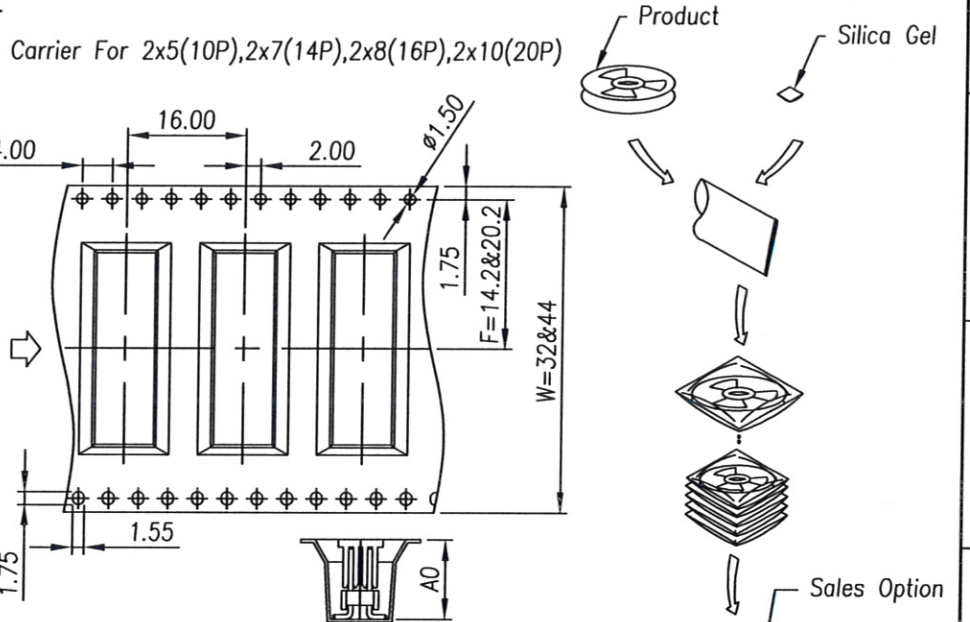
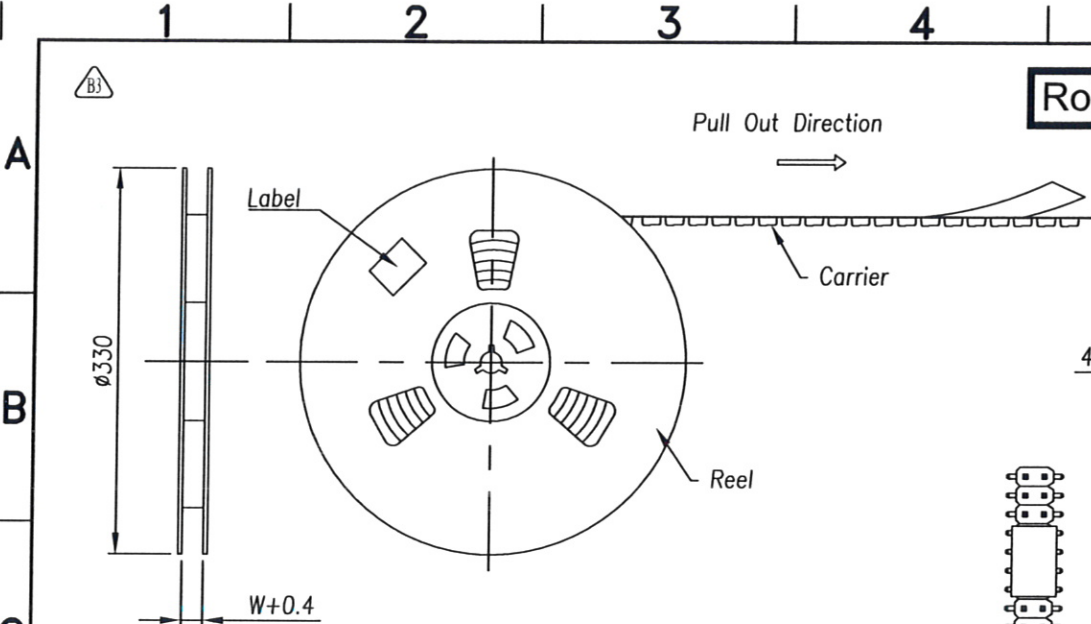


金上達科技股份有限公司
GOLDENSUNDA TECHNOLOGY CO.,LTD

TOLERANCE UNLESS OTHERWISE SPECIFIED		PROJ.	TITLE: Pin Header 2.54mm 180° H=2.50 SMT Dual Row			
.x± 0.35	x.± 2'	APR. C.F. Liao 20151027	PART NO. ES041XXXX43XF		DWG NO. ES041XXXX43XF	
.xx± 0.25	.x'± 1'	CHK. Michelle 20151027	UNITS: mm	CUSTOMER DRAWING		
.xxx± 0.15	.xx'± 0.5'	DRA. Abel 20151027	SIZE: A4	SCALE 4:1	SHEET 1 / 2	
			REV B4	V		

RoHS Compliant

REV	MODIFICATION	DATE	DRAW
B2	Release To ECN20150208	2015.02.12	Michelle
B3	Release To ECN20150804	2015.08.06	Michelle
B4	Release To ECN20151003	2015.10.27	Abel



發行
104.10.27
文管中心

金上達科技股份有限公司
GOLDENSUNDA TECHNOLOGY CO.,LTD

TOLERANCE UNLESS OTHERWISE SPECIFIED		PROJ.	TITLE: Pin Header 2.54mm 180° H=2.50 SMT Dual Row	
.x± 0.35	x.± 2'	APR. C.F. Liao 20151027	PART NO. ES041XXXX43XF	DWG NO. ES041XXXX43XF
.xx± 0.25	.x± 1'	CHK. Michelle 20151027	UNITS: mm	CUSTOMER DRAWING
.xxx± 0.15	.xx± 0.5'	DRA. Abel 20151027	SIZE: A4	SCALE Free
		SHEET 2 / 2		REV B4
				V