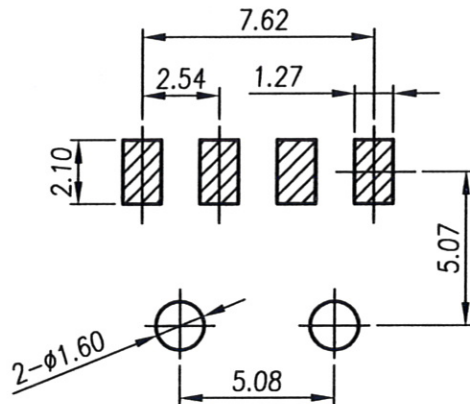
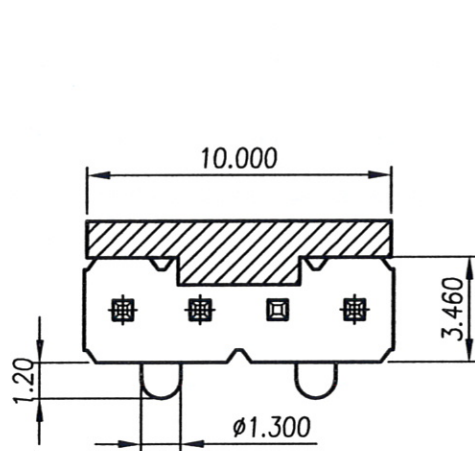


RoHS Compliant

REV	MODIFICATION	DATE	DRAW
A0	Release To MA20130303	2013.03.08	Seven
A1	Release To ECN20130517	2013.05.31	Michelle
A2	Release To ECN20141209	2014.12.25	Michelle



A2 RECOMMENDED P.C.B LAYOUT

Specification

- 1.Current Rating:3A
- 2.Contact Resistance:20mΩ Max.
- 3.Insulation Resistance:1000MΩ Min.
- 4.Dielectric Withstanding Voltage:AC1000V/Minute
- 5.Operating Temperature:-55°C~+105°C

Material:

- 1.Housing:High Temperature Thermoplastic UL94V-0
- 2.Contact Pin:Copper Alloy SQ. Pin 0.64mm
- 3.Cap:High Temperature Thermoplastic UL94V-0

Finish:

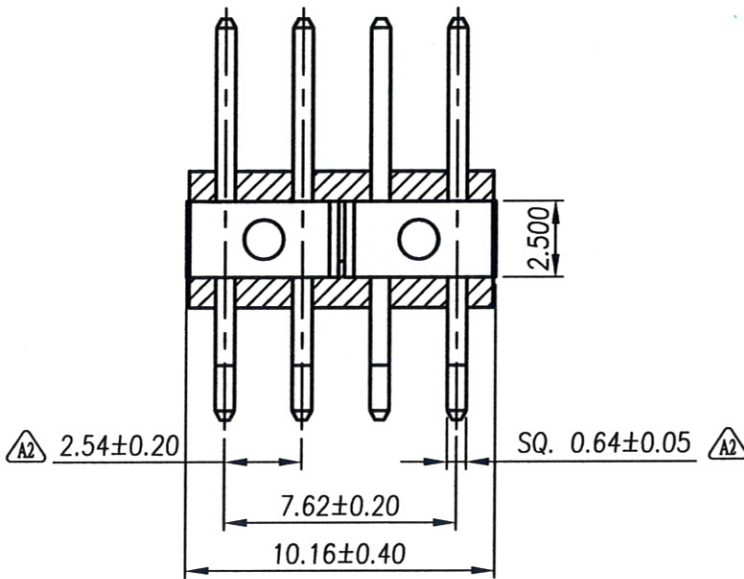
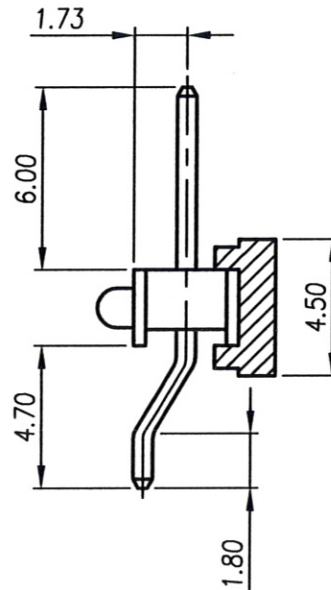
- 1.Housing: Black
- 2.Contact Pin:Gold Plated 0.60u" Over Nickel
- 3.Cap:Black

Part No.:HEACM-41100- 04 1 X 3

Number Of Pin
04

Plating
3:Gold Plated 0.60u"
Over Nickel

A1 Packing
2:Tube
3:T&R



TOLERANCE UNLESS OTHERWISE SPECIFIED		PROJ.	TITLE: Pin Header 2.54mm 90° H=2.50 SMT Single Row	
.x± 0.35	x.± 2'	APR. C.F.Liao 20141225	PART NO. HEACM-41100-041X3	DWG NO. HEACM-411-C-01
.xx± 0.25	.x± 1'	CHK. Abel 20141225	UNITS: mm	CUSTOMER DRAWING
.xxx± 0.15	.xx± 0.5'	DRA. Michelle 20141225	SIZE: A4	
			SHEET 1 / 1	REV A2