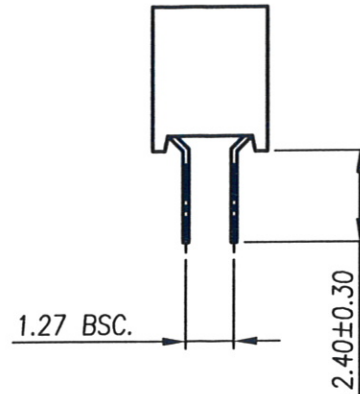
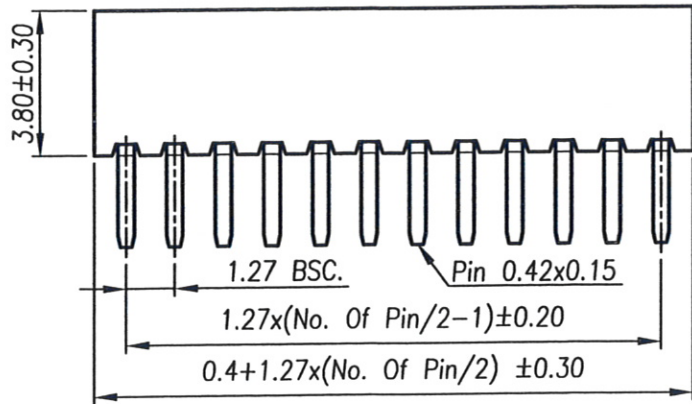
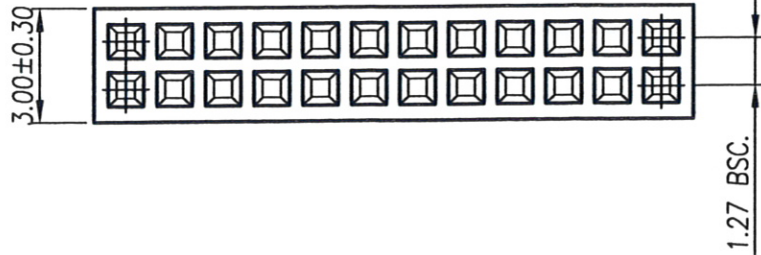


RoHS Compliant

REV	MODIFICATION	DATE	DRAW
A0	Release To FAI20120459	2012.05.16	Seven
A1	Release To ECN20130501	2013.05.03	Michelle
A2	Release To ECN20140305	2014.03.18	Michelle



Specification

- 1.Current Rating:1A AC
- 2.Voltage Rating:12VAC Max.
- 3.Contact Resistance:20mΩ Max.
- 4.Insulation Resistance:1000MΩ Min.
- 5.Dielectric Withstanding Voltage:AC500V/Minute
- 6.Operating Temperature:-40°C~+105°C

Material:

- △A2 1.Housing:High Temperature Thermoplastic UL94V-0 (H/F)
- 2.Contact Pin:Copper Alloy T=0.15mm

Finish:

- 1.Housing:Black
- 2.Contact Pin:Gold Plated 0.60u" On Contact Area

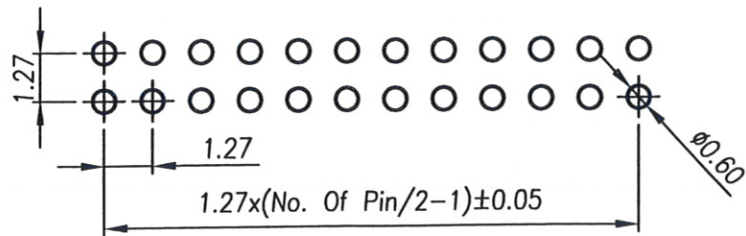
Part No.: ED016F4 XX 4 3 Y F

Number Of Pin
06~100(=A0)

Packing
Y:Tray

△A2 Housing Material
4:HTN UL94V-0 Black (H/F)

Plating
3:Gold Plated 0.60u" On Contact Area



RECOMMENDED P.C.B LAYOUT
(TOLERANCE:±0.05)



TOLERANCE UNLESS OTHERWISE SPECIFIED		PROJ.	TITLE: Female Header 1.27mm 180° H=3.80 DIP Dual Row	
.x± 0.35	.x*± 2'	APR. C.F. Liao 20140318	PART NO. ED016F4XX43YF	DWG NO. ED016F4XX43YF
.xx± 0.25	.x*± 1'	CHK. Abel 20140318	UNITS: mm	CUSTOMER DRAWING
.xxx± 0.15	.xx*± 0.5'	DRAW. Michelle 20140318	SIZE: A4	SCALE 5:1
		SHEET 1 / 1		REV A2 V