

RoHS Compliant



REV	MODIFICATION	DATE	DRAW
A0	Release To FAI20110565	2011.05.26	Seven
A1	Release To ECN20120508	2012.05.29	Seven
A2	Release To ECN20140305	2014.03.18	Michelle

Specification

- 1.Current Rating:2A
- 2.Voltage Rating:20V AC
- 3.Contact Resistance:20mΩ Max.
- 4.Insulation Resistance:3000MΩ Min.
- 5.Dielectric Withstanding Voltage:AC500V/Minute
- 6.Operating Temperature:-40℃~+105℃

Material:

- △A2 1.Housing:High Temperature Thermoplastic UL94V-0 (H/F)
- 2.Contact Pin:Copper Alloy T=0.20mm

Finish:

- 1.Housing:Black
- △A2 2.Contact Pin:Gold Plated 0.60u" On Contact Area

Part No.: ED071B8 XX 4 3 X F

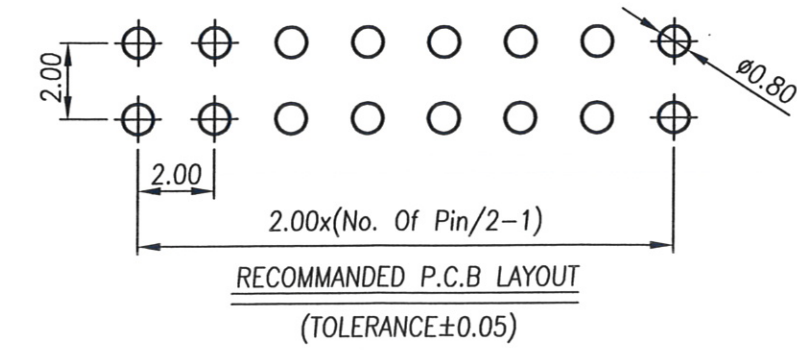
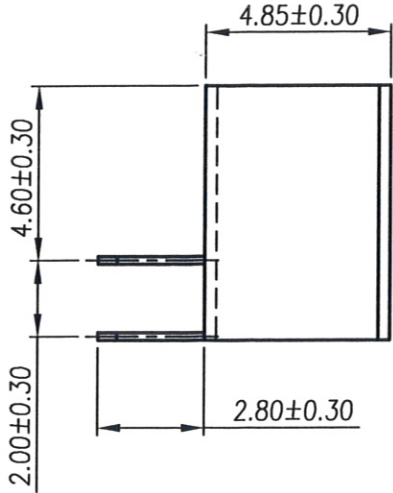
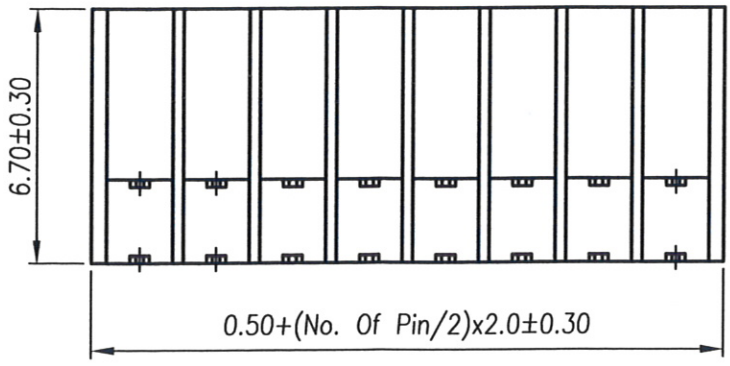
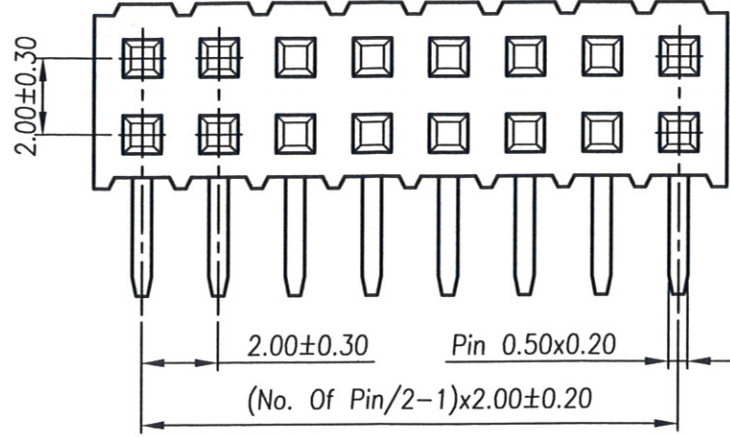
Number Of Pin
04~50


Packing
T:TUBE
Y:TRAY

Housing Material

- △A2 4:HTN UL94V-0 Black (H/F)


- △A2 3:Gold Plated 0.60u" On Contact Area





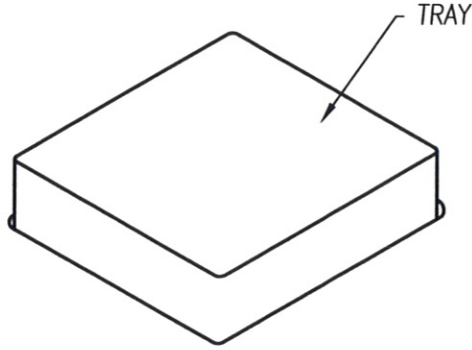
金上達科技股份有限公司

GOLDENSUND TECHNOLOGY CO.,LTD

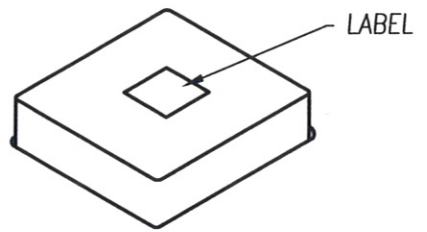
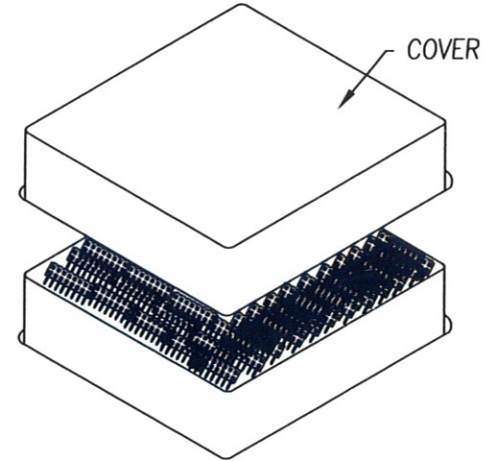
TOLERANCE UNLESS OTHERWISE SPECIFIED		PROJ. 	TITLE: Female Header 2.00mm 90° H=6.70 DIP Dual Row			
.x± 0.35	.x'± 2'	APR. C.F. Liao 20140318	PART NO. ED071B8XX43XF		DWG NO. ED071B8XX43XF	
.xx± 0.25	.x'± 1'	CHK. Abel 20140318	UNITS: mm	CUSTOMER DRAWING		
.xxx± 0.15	.xx'± 0.5'	DRA. Michelle 20140318	SIZE: A4	SCALE 5:1	SHEET 1 / 2	
			REV A2	V		

RoHS Compliant

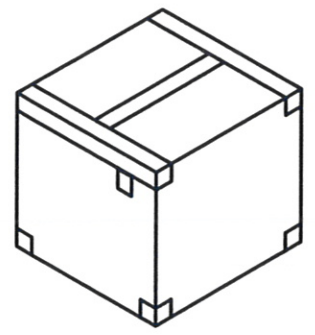
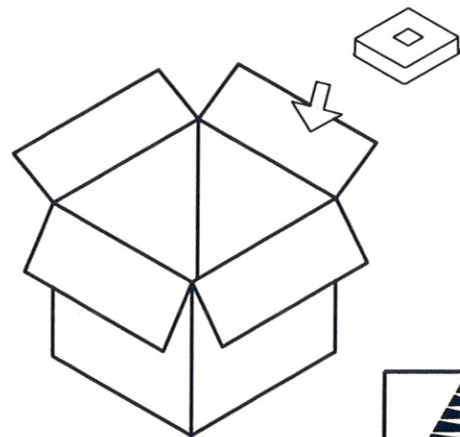
REV	MODIFICATION	DATE	DRAW
A0	Release To FAI20110565	2011.05.26	Seven
A1	Release To ECN20120508	2012.05.29	Seven
A2	Release To ECN20140305	2014.03.18	Michelle



PIN	Q'TY	PIN	Q'TY
04	500	20	520
06	200	24	440
08	500	30	320
10	400	34~36	280
12~14	300	40~44	240
16	640	46~50	200
18	560		




CONNECTOR INTO THE TRAY



CLOSE CARTON WITH TAPE.

INTO THE CARTON, Q'TY BY OTHER.





金上達科技股份有限公司

GOLDENSUND TECHNOLOGY CO.,LTD

TOLERANCE UNLESS OTHERWISE SPECIFIED		PROJ.	TITLE: Female Header 2.00mm 90° H=6.70 DIP Dual Row	
.x± 0.35	x.*± 2'	APR. C.F. Liao 20140318	PART NO. ED071B8XX43XF	DWG NO. ED071B8XX43XF
.XX± 0.25	.X*± 1'	CHK. Abel 20140318	UNITS: mm	CUSTOMER DRAWING
.XXX± 0.15	.XX*± 0.5'	DRA. Michelle 20140318	SIZE: A4	SCALE Free
		SHEET 2 / 2	REV A2	V