

REV	MODIFICATION	DATE	DRAW
A0	Release To MA20140302	2014.03.17	Michelle
A1	Release To ECN20140409	2014.04.30	Michelle
A2	Release To ECN20140517	2014.05.08	Michelle

RoHS Compliant

Specification

- 1.Current Rating:1A
- 2.Contact Resistance:20mΩ Max.
- 3.Insulation Resistance:5000MΩ Min.
- 4.Dielectric Withstanding Voltage:AC500V/Minute
- 5.Operating Temperature:-40℃~+105℃

Material:

- 1.Housing:High Temperature Thermoplastic UL94V-0
- 2.Contact Pin:Copper Alloy T=0.20mm
- 3.Cap:High Temperature Thermoplastic UL94V-0

Finish:

- 1.Housing:Black
- 2.Contact Pin:Gold Flash Over Nickel
- 3.Cap:Black

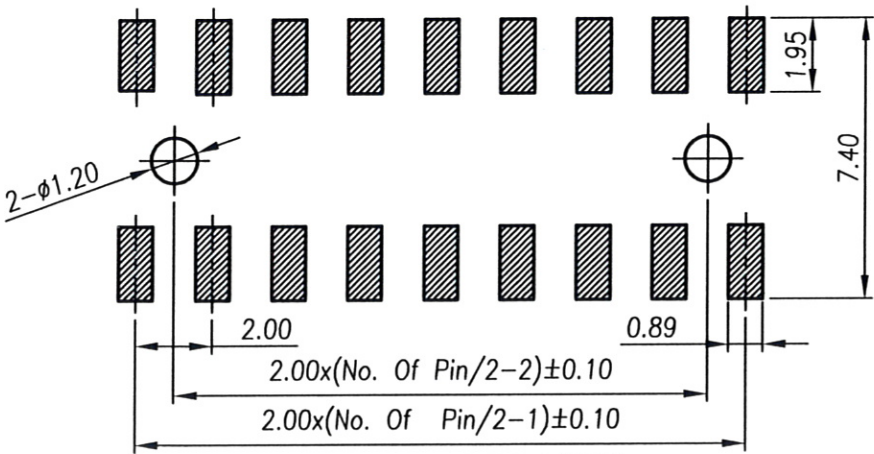
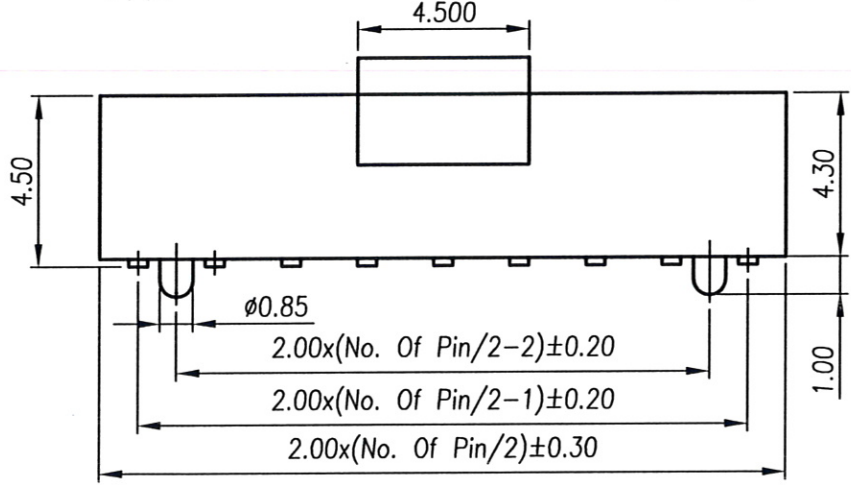
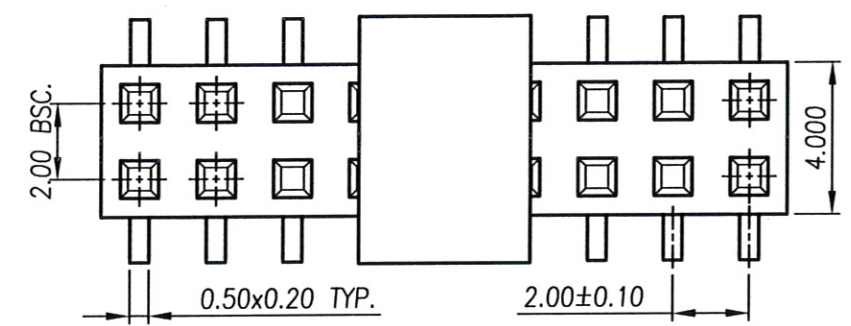
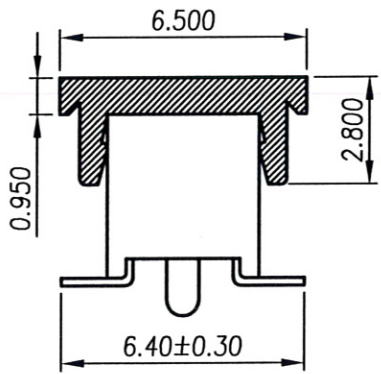
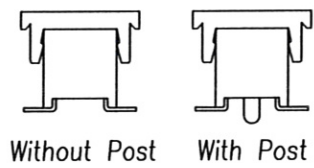
Part No.: HEABF-3 X 200- XX 1 X 3

Post
2:With Post
3:Without Post

Plating
3:Gold Flash Over Nickel

Number Of Pin
02~80

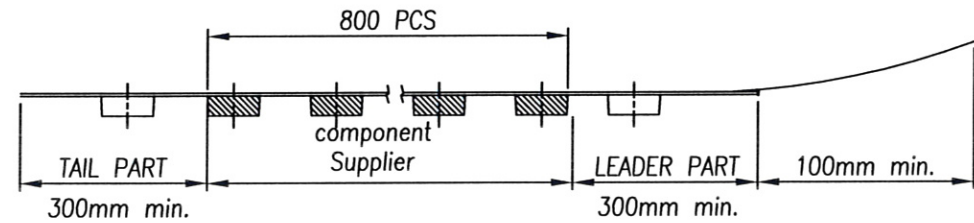
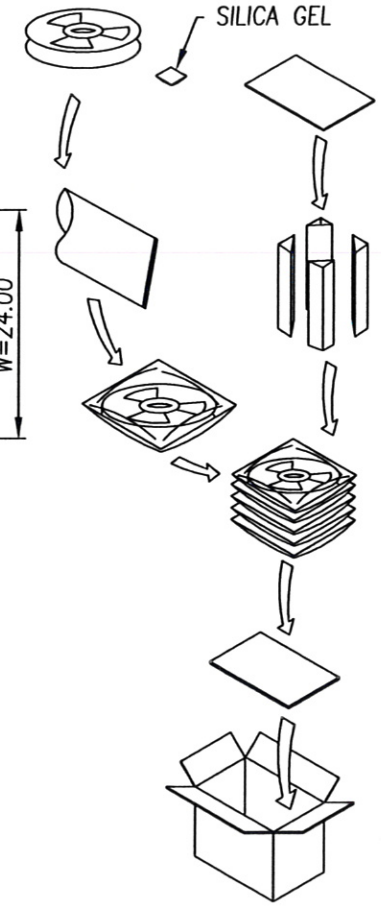
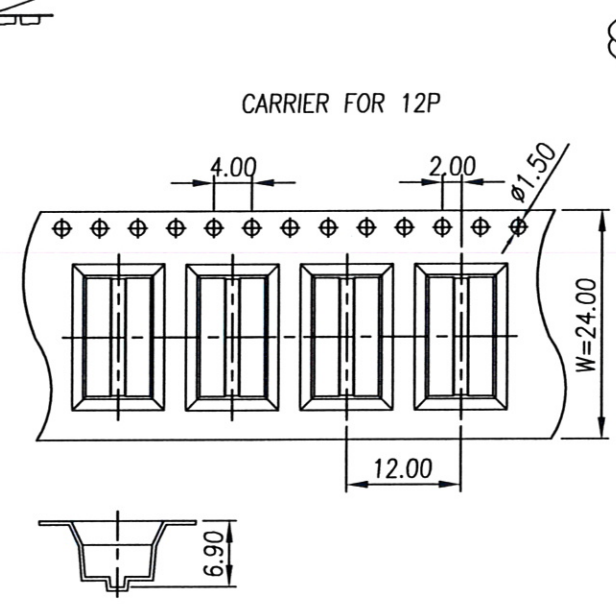
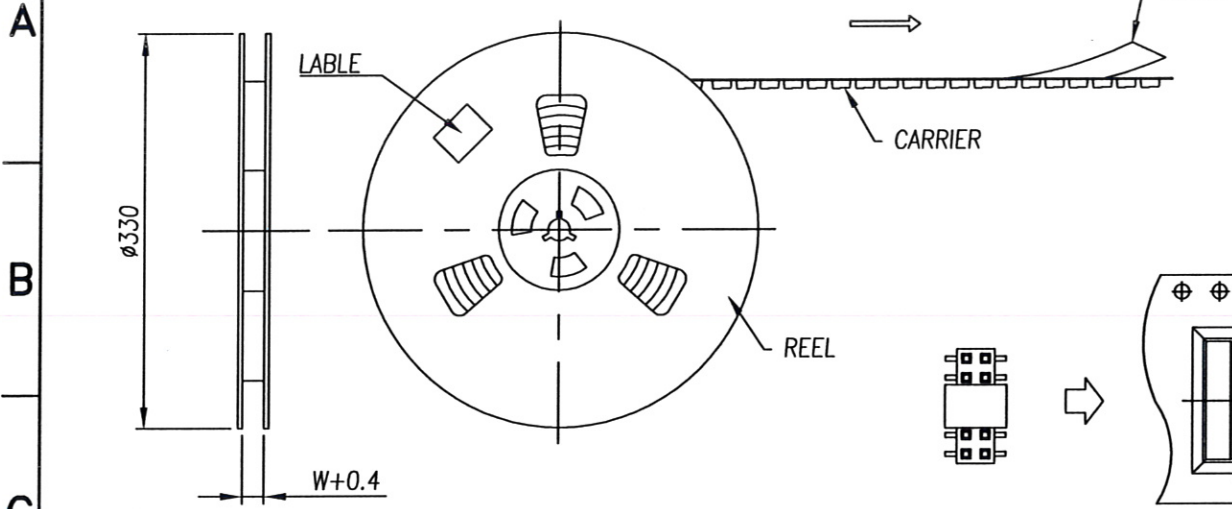
Packing
2:Tube
3:T&R



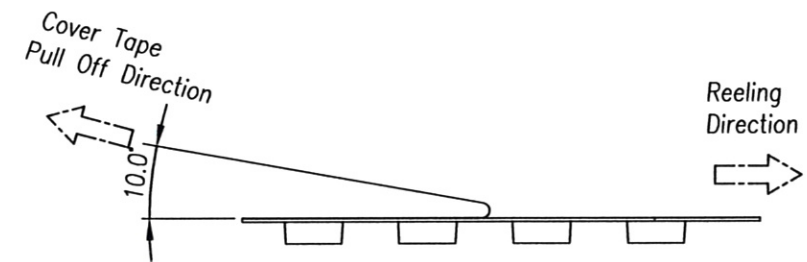
RECOMMENDED P.C.B LAYOUT
(TOLERANCE±0.05)

		金上達科技股份有限公司 GOLDENSUNDA TECHNOLOGY CO.,LTD	
TOLERANCE UNLESS OTHERWISE SPECIFIED .xx± 0.35 x.± 2' .xx± 0.25 .x'± 1' .xxx± 0.15 .xx'± 0.5'		PROJ. TITLE: Female Header 2.00mm 180° H=4.30 SMT Dual Row APR. C.F. Liao 20140508 PART NO. HEABF-3X200-XX1X3 DWG NO. HEABF-322-C-01 CHK. Abel 20140508 UNITS: mm CUSTOMER DRAWING DRA. Michelle 20140508 SIZE: A4 SCALE 5:1 SHEET 1 / 2 REV A2 V	

REV	MODIFICATION	DATE	DRAW
A0	Release To MA20140302	2014.03.17	Michelle
A1	Release To ECN20140409	2014.04.30	Michelle
A2	Release To ECN20140517	2014.05.08	Michelle



Notes:
1.Part No.: HEABF-3X200-12133



發行
103. 5. 08
文管中心

RoHS Compliant

PIN NO.	W+0.30	PCS / REEL
12	24	800

金上達科技股份有限公司
GOLDENSUNDA TECHNOLOGY CO.,LTD

TITLE: Pin Header 2.00mm 180° H=4.30 SMT Dual Row

APR. C.F. Liao 20140508	PART NO. HEABF-3X200-XX1X3	DWG NO. HEABF-322-C-01
CHK. Abel 20140508	UNITS: mm	CUSTOMER DRAWING
DR. Michelle 20140508	SIZE: A4	

SCALE Free SHEET 2 / 2 REV A2 V