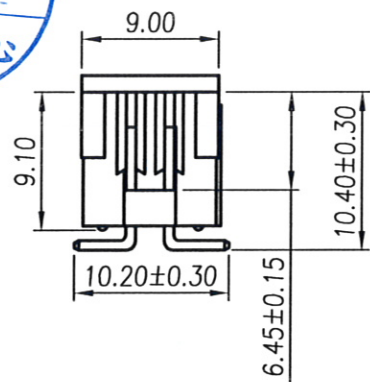


發行
102.8.12
文管中心



REV	MODIFICATION	DATE	DRAW
A0	Release To Production	2010.06.29	Abel
A1	Release To ECN20130609	2013.06.19	Michelle
A2	Release To ECN20130711	2013.07.26	Michelle

RoHS Compliant

- Specification
- 1.Current Rating:3A
 - 2.Voltage Rating:25V AC/DC
 - 3.Contact Resistance:20mΩ Max.
 - 4.Insulation Resistance:5000MΩ Min. At DC 500V
 - 5.Dielectric Withstanding Voltage:500 VAC Minute
 - 6.Operating Temperature:-40℃~+105℃

- Material:
- 1.Housing: High Temperature Thermoplastic UL94V-0
 - 2.Contact Pin:Copper Alloy SQ. Pin 0.64mm
 - 2.Cap:High Temperature Thermoplastic UL94V-0

- Finish:
- 1.Housing:Black
 - 2.Contact Pin:Gold Plated 0.6u" On Contact Area. A2
 - 3.Cap:Black

Part No.: ES05290 XX 4 3 X F

Number of Pin
06~64

Packing A2
0:T&R With Cap (400PCS/R)
3:Tube With Cap
T:Tube Without Cap

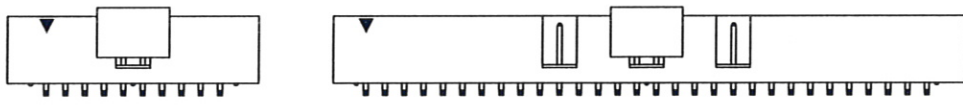
Housing Material
4:NY6T UL94V-0 Black

Plating A2
3:Gold Plated 0.6u" on Contact Area.


A2 Apperance:

06~50P

60~64P



PIN	DIM.A	DIM.B	DIM.C	PIN	DIM.A	DIM.B	DIM.C
06	5.08	12.94	15.24	26	30.48	38.34	40.64
08	7.62	15.48	17.78	30	35.56	43.42	45.72
10	10.16	18.02	20.32	34	40.64	48.50	50.80
12	12.70	20.56	22.86	40	48.26	56.12	58.42
14	15.24	23.10	25.40	50	60.96	68.82	71.12
16	17.78	25.64	27.94	60	73.66	81.52	83.82
20	22.86	30.72	33.02	64	78.74	86.60	88.90
24	27.94	35.80	38.10				



金上達科技股份有限公司

GOLDENSUND TECHNOLOGY CO.,LTD

TOLERANCE UNLESS OTHERWISE SPECIFIED		PROJ.	TITLE: Box Header 2.54mm 180' H=8.80 SMT Dual Row		
.x± 0.35	x'± 2'	APR. Jay 20130726	PART NO. ES05290XX43XF	DWG NO. ES05290XX43XF	
.xx± 0.25	.x'± 1'	CHK. Seven 20130726	UNITS: mm		CUSTOMER DRAWING
.xxx± 0.15	.xx'± 0.5'	DRA. Michelle 20130726	SIZE: A4	SCALE 2:1	SHEET 1 / 1 REV A2 V