

RoHS Compliant

發行  
103. 12. 25  
文管中心

REV	MODIFICATION	DATE	DRAW
A0	Refer To Production	2010.03.17	AJ
A1	Refer To ECN20130901	2013.10.01	Michelle
A2	Refer To ECN20141210	2014.12.25	Michelle

Specification

- 1. Current Rating: 2A AC/DC
- 2. Voltage Rating: 20V AC/DC
- 3. Contact Resistance: 20mΩ Max.
- 4. Insulation Resistance: 3000MΩ Min. At DC 500V
- 5. Dielectric Withstanding Voltage: 500VAC/Minute
- 6. Operating Temperature: -40°C ~ +105°C

Material:

- 1. Housing: High Temperature Thermoplastic UL94V-0
- 2. Contact Pin: Copper Alloy SQ. Pin 0.50mm

Finish:

- 1. Housing: Black
- 2. Contact Pin: Gold Plated 0.60u" Avg. Over Nickel

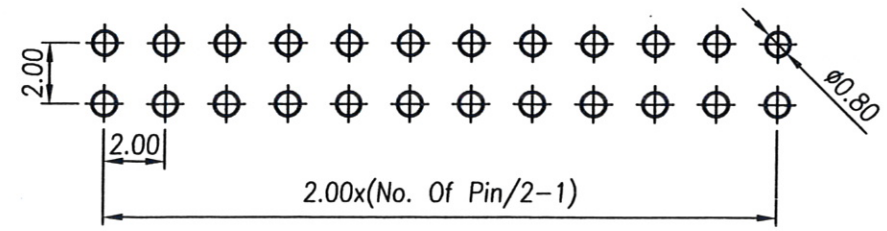
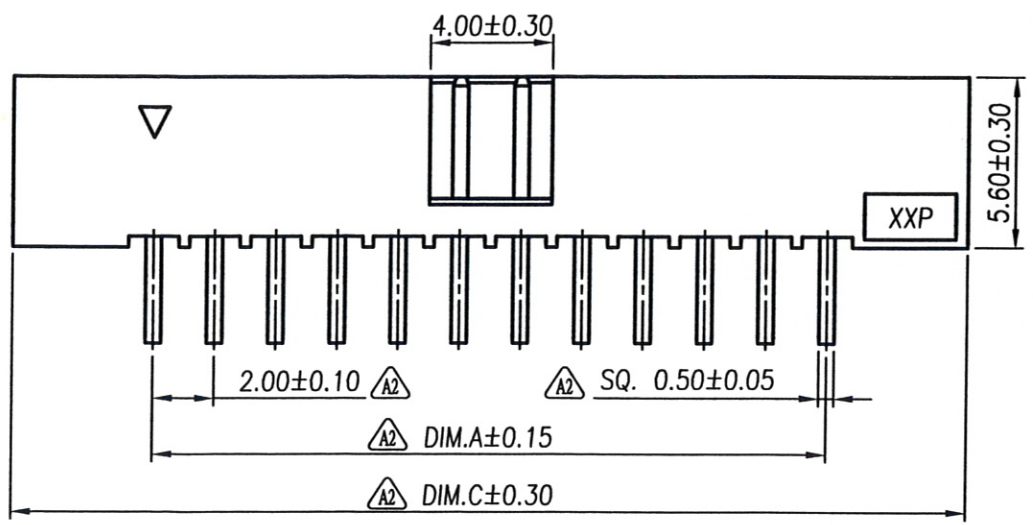
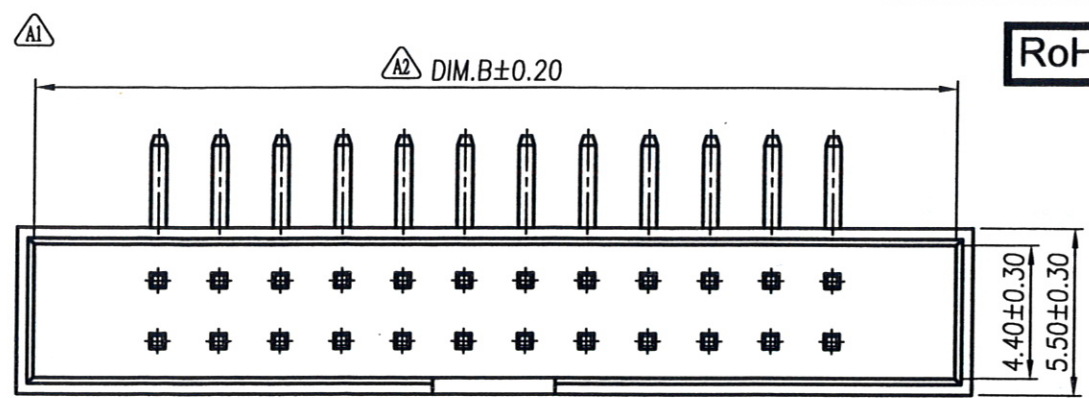
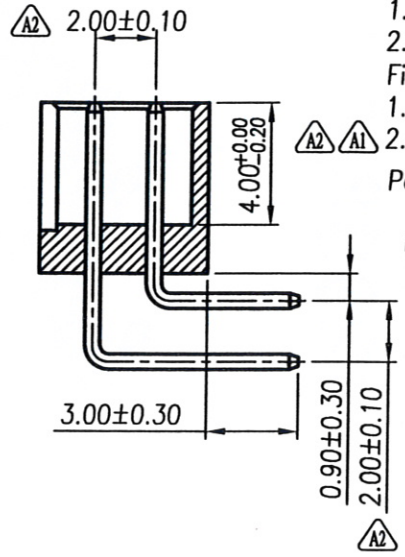
Part No.: ED07331 XX 4 3 Y F

Number Of Pin  
06~68

Packing  
Y: Tray

Housing Material  
4: NY6T UL94V-0 Black

Plating  
3: Gold Plated 0.60u" Avg. Over Nickel



RECOMMENDED P.C.B LAYOUT

TOLERANCE UNLESS OTHERWISE SPECIFIED		PROJ.	TITLE: Box Header 2.00mm 90° H=5.60 DIP Dual Row		
.x± 0.35	x.± 2'	APR. C.F.Liao 20141225	PART NO. ED07331XX43YF	DWG NO. ED07331XX43YF	
.xx± 0.25	.x.± 1'	CHK. Abel 20141225	UNITS: mm	CUSTOMER DRAWING	
.xxx± 0.15	.xx.± 0.5'	DRA. Michelle 20141225	SIZE: A4	SCALE: 4:1	SHEET 1 / 2
			REV: A2	V	



RoHS Compliant

REV	MODIFICATION	DATE	DRAW
A0	Refer To Production	2010.03.17	AJ
A1	Refer To ECN20130901	2013.10.01	Michelle
A2	Refer To ECN20141210	2014.12.25	Michelle

A2

PIN	DIM.A	DIM.B	DIM.C	PIN	DIM.A	DIM.B	DIM.C	PIN	DIM.A	DIM.B	DIM.C
06	4.00	12.10	13.20	22	20.00	28.10	29.20	40	38.00	46.10	47.20
08	6.00	14.10	15.20	24	22.00	30.10	31.20	44	42.00	50.10	51.20
10	8.00	16.10	17.20	26	24.00	32.10	33.20	50	48.00	56.10	57.20
12	10.00	18.10	19.20	28	26.00	34.10	35.20	60	58.00	66.10	67.20
14	12.00	20.10	21.20	30	28.00	36.10	37.20	64	62.00	70.10	71.20
16	14.00	22.10	23.20	32	30.00	38.10	39.20	68	66.00	74.10	75.20
18	16.00	24.10	25.20	34	32.00	40.10	41.20				
20	18.00	26.10	27.20	36	34.00	42.10	43.20				



 <b>金上達科技股份有限公司</b> <b>GOLDENSUNDA TECHNOLOGY CO.,LTD</b>		<b>TITLE:</b> Box Header 2.00mm 90° H=5.60 DIP Dual Row				
		<b>TOLERANCE UNLESS OTHERWISE SPECIFIED</b> .X± 0.35    X'± 2" .XX± 0.25    .X'± 1" .XXX± 0.15    .XX'± 0.5"	<b>PROJ.</b>  <b>APR.</b> C.F.Liao 20141225 <b>CHK.</b> Abel 20141225 <b>DRA.</b> Michelle 20141225	<b>PART NO.</b> ED07331XX43YF	<b>DWG NO.</b> ED07331XX43YF	<b>CUSTOMER DRAWING</b>
<b>UNITS:</b> mm		<b>SIZE:</b> A4	<b>SCALE:</b> 4:1	<b>SHEET:</b> 2 / 2	<b>REV:</b> A2	<b>V</b>