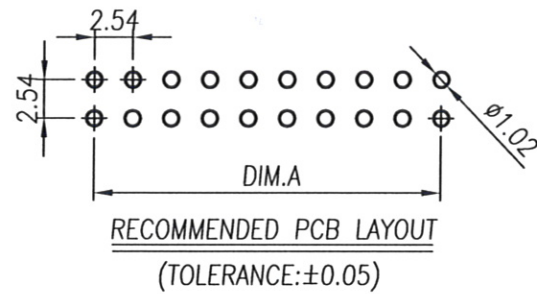
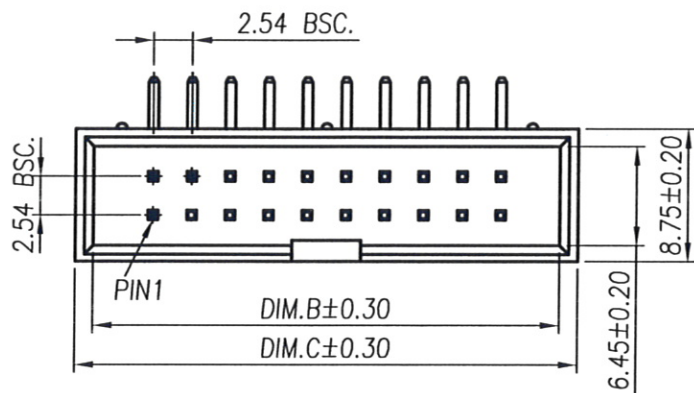


RoHS Compliant

REV	MODIFICATION	DATE	DRAW
A0	Release To Production	2010.05.17	AJ
A1	Release To ECN20130609	2013.06.19	Michelle



Specification

- 1.Current Rating:3A
- 2.Voltage Rating:25V AC/DC
- 3.Contact Resistance:20mΩ Max.
- 4.Insulation Resistance:5000MΩ Min. At DC 500V
- 5.Dielectric Withstanding Voltage:500 VAC Minute
- 6.Operating Temperature:-25℃~+85℃

Material:

- 1.Housing:Thermoplastic UL94V-0
- 2.Contact Pin:Copper Alloy SQ. Pin 0.64mm

Finish:

- 1.Housing:Black
- 2.Contact Pin:Gold Flash Over Nickel

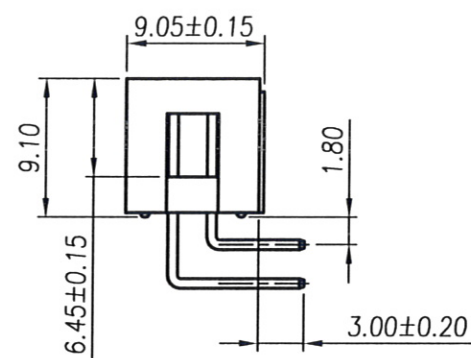
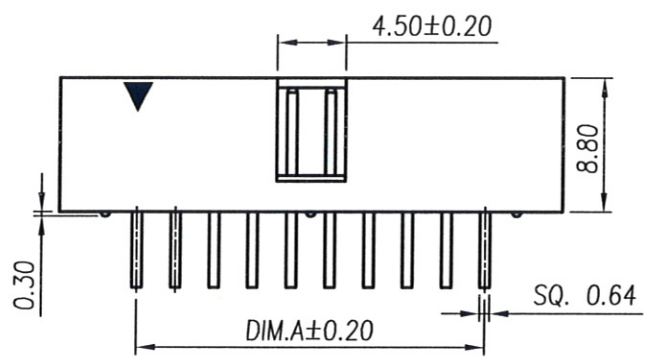
Part No.: ED05261 XX 8 3 Y F

Number of Pin
06~64


Housing Material
8:PBT UL94V-0 Black

Packing
Y:Tray

Plating
3:Gold Flash Over Nickel



PIN	DIM.A	DIM.B	DIM.C	PIN	DIM.A	DIM.B	DIM.C
06	5.08	12.94	15.24	26	30.48	38.34	40.64
08	7.62	15.48	17.78	30	35.56	43.42	45.72
10	10.16	18.02	20.32	34	40.64	48.50	50.80
12	12.70	20.56	22.86	40	48.26	56.12	58.42
14	15.24	23.10	25.40	50	60.96	68.82	71.12
16	17.78	25.64	27.94	60	73.66	81.52	83.82
20	22.86	30.72	33.02	64	78.74	86.60	88.90
24	27.94	35.80	38.10				



金上達科技股份有限公司

GOLDENSUNDA TECHNOLOGY CO.,LTD

TOLERANCE UNLESS OTHERWISE SPECIFIED		PROJ.	TITLE: Box Header 2.54mm 90° H=8.80 DIP Dual Row		
.x± 0.35	x.'± 2'	APR. Jay 20130619	PART NO. ED05261XX83YF	DWG NO. ED05261XX83YF	
.xx± 0.25	.x'± 1'	CHK. Seven 20130619	UNITS: mm	CUSTOMER DRAWING	
.xxx± 0.15	.xx'± 0.5'	DRA. Michelle 20130619	SIZE: A4	SCALE 2:1	SHEET 1 / 1
			REV A1	V	