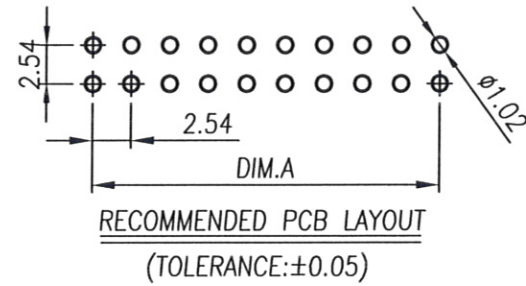
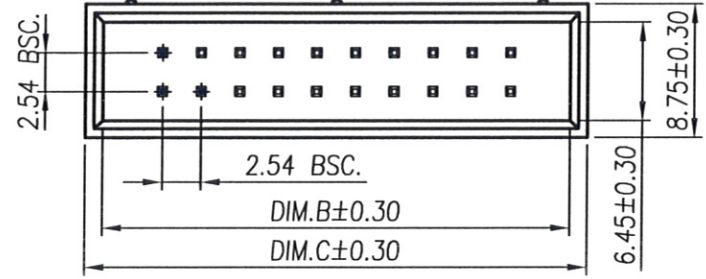


A2

REV	MODIFICATION	DATE	DRAW
A0	Release To Production	2010.05.17	AJ
A1	Release To ECN20110702	2011.07.15	Seven
A2	Release To ECN20130609	2013.06.19	Michelle

RoHS Compliant



- Specification
- 1.Current Rating:3A
 - 2.Voltage Rating:25V AC/DC Δ
 - 3.Contact Resistance:20m Ω Max.
 - 4.Insulation Resistance:5000M Ω Min. At DC 500V
 - 5.Dielectric Withstanding Voltage:500 VAC Minute
 - 6.Operating Temperature:-25 $^{\circ}$ C~+85 $^{\circ}$ C

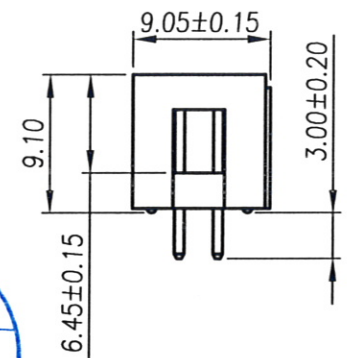
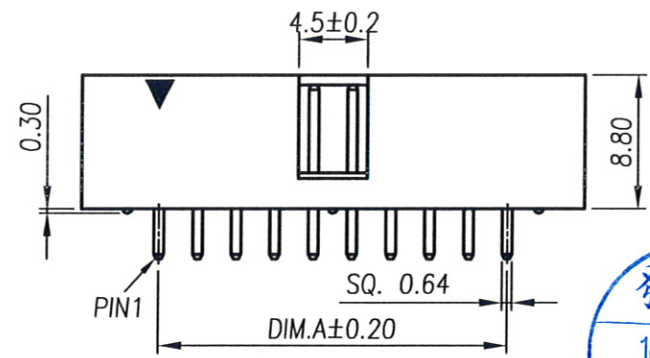
- Material:
- 1.Housing: Thermoplastic UL94V-0
 - 2.Contact Pin:Copper Alloy SQ. Pin 0.64mm

- Finish:
- 1.Housing:Black
 - 2.Contact Pin:Gold Flash Over Nickel

Part No.: ED05228 XX 8 3 Y F

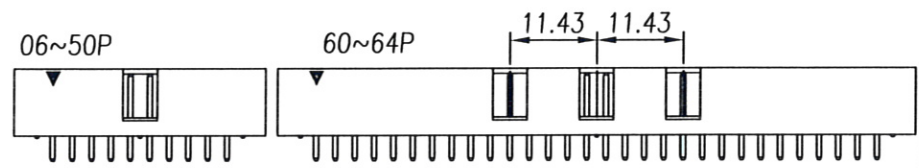
Number of Pin: 06~64
Packing: Y:Tray

Housing Material: 8:PBT UL94V-0 Black
Plating: 3:Gold Flash Over Nickel



發行
102.7.16
文管中心

PIN	DIM.A	DIM.B	DIM.C	PIN	DIM.A	DIM.B	DIM.C
06	5.08	12.94	15.24	26	30.48	38.34	40.64
08	7.62	15.48	17.78	30	35.56	43.42	45.72
10	10.16	18.02	20.32	34	40.64	48.50	50.80
12	12.70	20.56	22.86	40	48.26	56.12	58.42
14	15.24	23.10	25.40	50	60.96	68.82	71.12
16	17.78	25.64	27.94	60	73.66	81.52	83.82
20	22.86	30.72	33.02	64	78.74	86.60	88.90
24	27.94	35.80	38.10				



金上達科技股份有限公司
GOLDENSUNDA TECHNOLOGY CO.,LTD

TOLERANCE UNLESS OTHERWISE SPECIFIED		PROJ.	TITLE: Box Header 2.54mm 180' H=8.80 DIP Dual Row	
.x ± 0.35	.x' ± 2'	APR. Jay 20130619	PART NO. ED05228XX83YF	DWG NO. ED05228XX83YF
.xx ± 0.25	.x' ± 1'	CHK. Seven 20130619	UNITS: mm	CUSTOMER DRAWING
.xxx ± 0.15	.xx' ± 0.5'	DRA. Michelle 20130619	SIZE: A4	SCALE 2:1
		SHEET 1 / 1		REV. A2 V