

REV	MODIFICATION	DATE	DRAW
A0	Release To MA20130806	2013.08.14	Michelle
A1	Release To ECN20150505	2015.05.11	Michelle

RoHS Compliant

Specification

- Current Rating: 1A
- Contact Resistance: 20mΩ Max.
- Insulation Resistance: 1000MΩ Min.
- Dielectric Withstanding Voltage: AC500V/Minute
- Operating Temperature: -25°C ~ +105°C

Material:

- Housing: High Temperature Thermoplastic UL94V-0
- Contact Pin: Copper Alloy SQ. Pin 0.50mm
- Cap: High Temperature Thermoplastic UL94V-0

Finish:

- Housing: Black
- Contact Pin: Gold Plated 0.60u" Avg. Over Nickel
- Cap: Black

Part No.: BHABM-32100-XX 1 3 3

No. Of Pin: 06~68

Plating: 3: Gold Plated 0.60u" Avg. Over Nickel

Cap: 1: With Cap

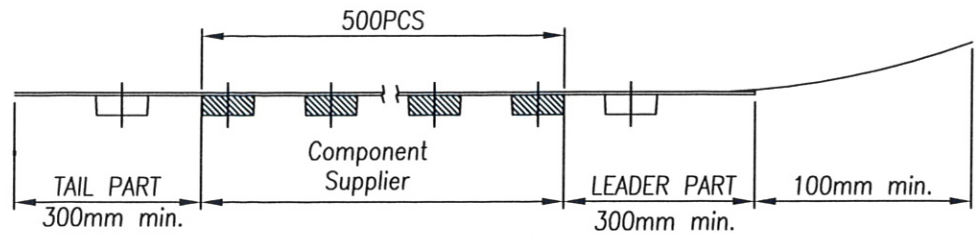
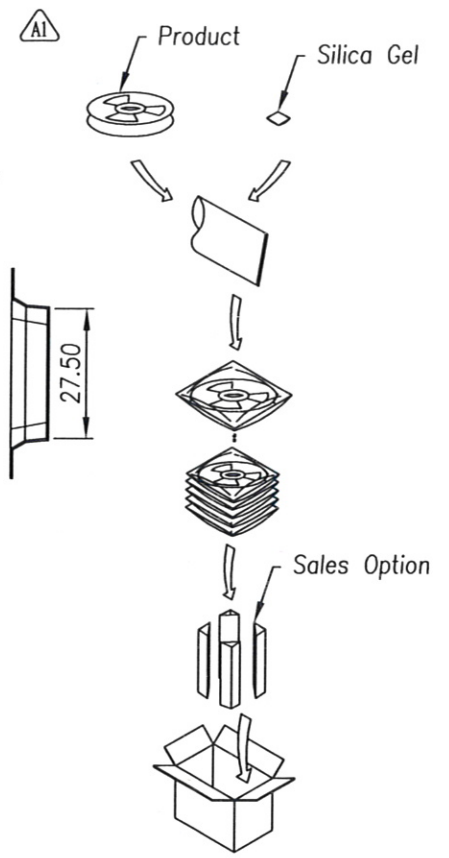
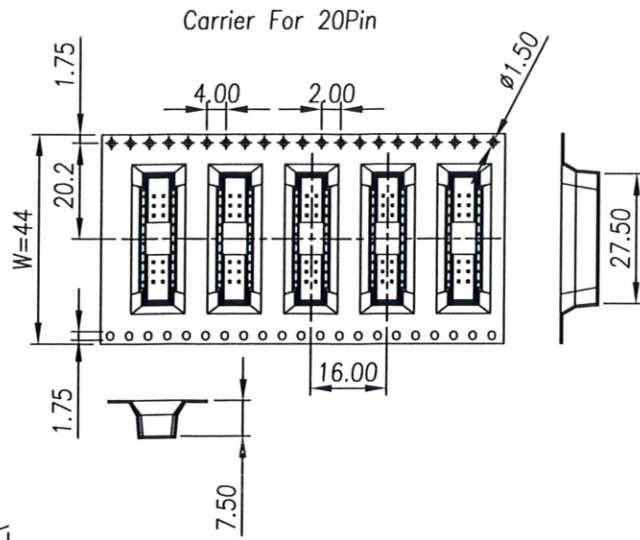
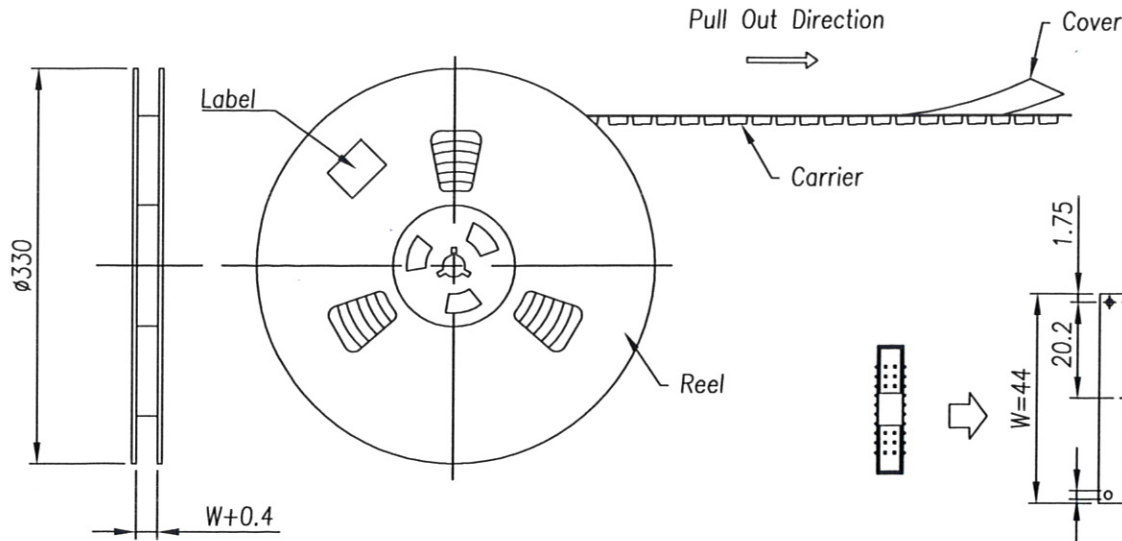
Packing: 3: T&R

金上達科技股份有限公司
GOLDENSUNDA TECHNOLOGY CO., LTD

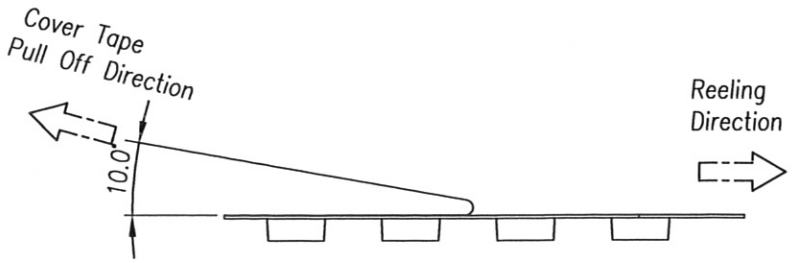
TOLERANCE UNLESS OTHERWISE SPECIFIED		PROJ.	TITLE: Box Header 2.00mm 180° H=5.60 SMT Dual Row	
.x ± 0.35	x. ± 2'	APR. C.F.Liao 20150511	PART NO. BHABM-32100-XX133	DWG NO. BHABM-321-C-01
.xx ± 0.25	.x ± 1'	CHK. Abel 20150511	UNITS: mm	CUSTOMER DRAWING
.xxx ± 0.15	.xx ± 0.5'	DRA. Michelle 20150511	SIZE: A4	SCALE 4:1
		SHEET 1 / 3		REV A1
				V



RoHS Compliant

REV	MODIFICATION	DATE	DRAW
A0	Release To MA20130806	2013.08.14	Michelle
A1	Release To ECN20150505	2015.05.11	Michelle



Notes:
1.Part No.: BHABM-32100-20133



 金上達科技股份有限公司 GOLDENSUNDA TECHNOLOGY CO.,LTD		TITLE: Pin Header 2.00mm 180° H=5.60 SMT Dual Row	
TOLERANCE UNLESS OTHERWISE SPECIFIED		PROJ. 	
.x± 0.35	x.± 2'	APR. C.F.Liao 20150511	PART NO. BHABM-32100-XX133
.xx± 0.25	.x'± 1'	CHK. Abel 20150511	DWG NO. BHABM-321-C-01
.xxx± 0.15	.xx'± 0.5'	DRA. Michelle 20150511	UNITS: mm
		SIZE: A4	
		SCALE: Free	
		SHEET: 3 / 3	
		REV: A1	
		V	


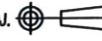
CUSTOMER DRAWING

RoHS Compliant

REV	MODIFICATION	DATE	DRAW
A0	Release To MA20130806	2013.08.14	Michelle
A1	Release To ECN20150505	2015.05.11	Michelle

PIN	DIM.A	DIM.B	DIM.C	PIN	DIM.A	DIM.B	DIM.C	PIN	DIM.A	DIM.B	DIM.C
06	4.00	12.10	13.20	22	20.00	28.10	29.20	40	38.00	46.10	47.20
08	6.00	14.10	15.20	24	22.00	30.10	31.20	44	42.00	50.10	51.20
10	8.00	16.10	17.20	26	24.00	32.10	33.20	50	48.00	56.10	57.20
12	10.00	18.10	19.20	28	26.00	34.10	35.20	60	58.00	66.10	67.20
14	12.00	20.10	21.20	30	28.00	36.10	37.20	64	62.00	70.10	71.20
16	14.00	22.10	23.20	32	30.00	38.10	39.20	68	66.00	74.10	75.20
18	16.00	24.10	25.20	34	32.00	40.10	41.20				
20	18.00	26.10	27.20	36	34.00	42.10	43.20				



 金上達科技股份有限公司 GOLDENSUNDA TECHNOLOGY CO.,LTD		TITLE: Box Header 2.00mm 180' H=5.60 SMT Dual Row			
		TOLERANCE UNLESS OTHERWISE SPECIFIED .x± 0.35 x.'± 2' .xx± 0.25 .x'± 1' .xxx± 0.15 .xx'± 0.5'	PROJ.  APR. C.F.Liao 20150511 CHK. Abel 20150511 DRA. Michelle 20150511	PART NO. BHABM-32100-XX133	DWG NO. BHABM-321-C-01
SIZE: A4	SCALE: 4:1	SHEET: 2 / 3	REV: A1	V	