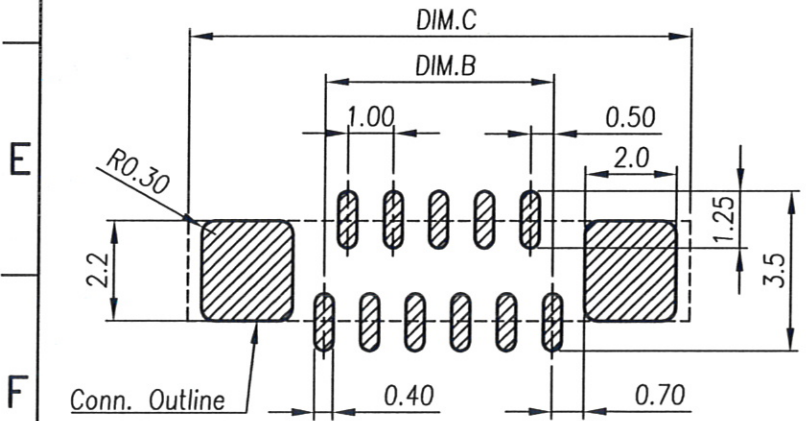
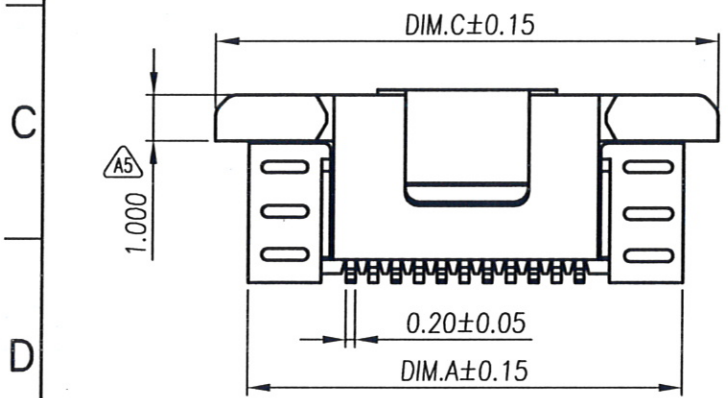
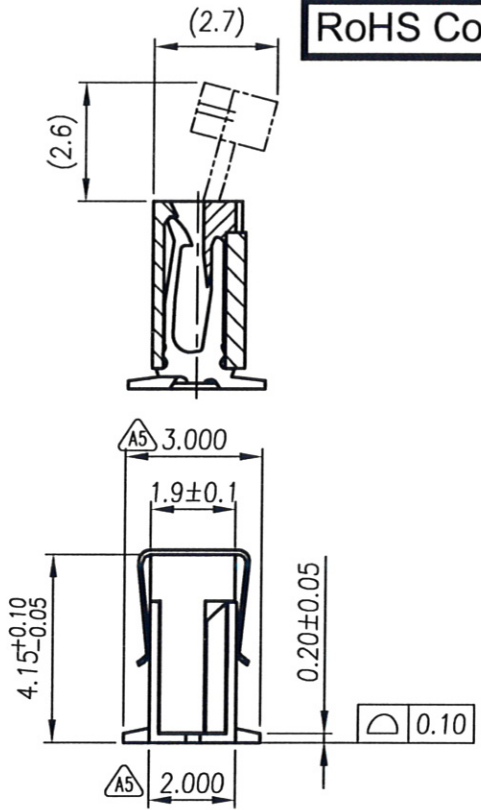
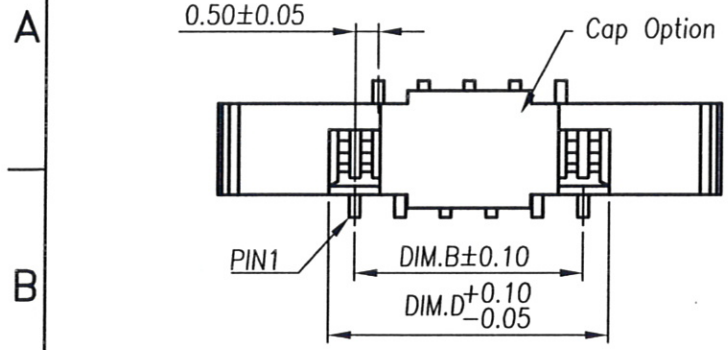


1 2 3 4 5 6 7 8

RoHS Compliant

REV	MODIFICATION	DATE	DRAW
A3	Release To ECN20120907	2012.09.14	Michelle
A4	Release To ECN20131205	2013.12.10	Michelle
A5	Release To ECN20150905	2015.09.09	Abel



RECOMMENDED P.C.B LAYOUT

- Specification
- 1.Current Rating:0.3A
 - 2.Voltage Rating:50V AC/DC
 - 3.Contact Resistance:20mΩ Max.
 - 4.Insulation Resistance:1000MΩ Min. At DC500V
 - 5.Dielectric Withstanding Voltage:AC500V/Minute
 - 6.Operating Temperature:-25°C~+85°C

- Material:
- 1.Housing:High Temperature Thermoplastic UL94V-0
 - 2.Contact Pin:Copper Alloy T=0.20mm
 - 3.Cover:High Temperature Thermoplastic UL94V-0
 - 4.Leg:Copper Alloy T=0.20mm
 - 5.Cap:SUS

- Finish:
- 1.Housing:Natural
 - 2.Contact Pin:See P/N Option
 - 3.Cover:Brown
 - 4.Leg:Tin Plated Over Nickel
 - 5.Cap:Non Plated

Part No.: DS00103 XX 3 X X 2

$\triangle A5$ No. of Pin 05~50
 Packing $\triangle A4$ 3:Tube With Cap 4:Tube
 Housing Material 3:Nylon6T UL94V-0 Natural
 Plating 1:Bright Tin Plated Over Nickel



金上達科技股份有限公司
GOLDENSUNDA TECHNOLOGY CO.,LTD

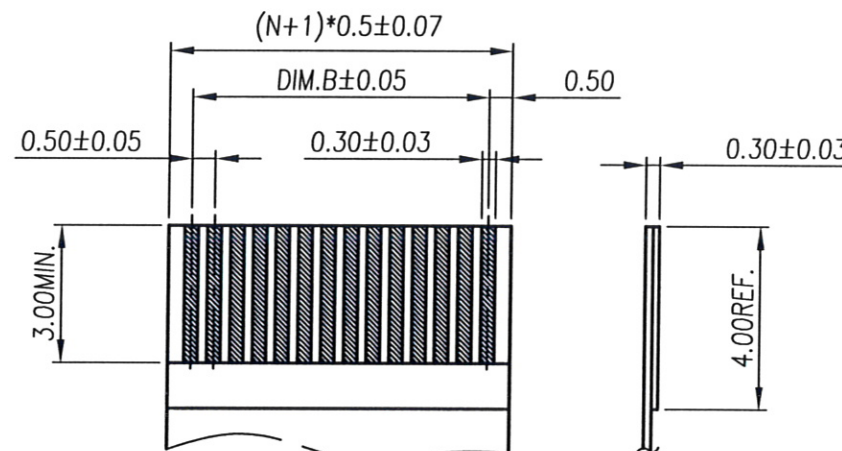
TOLERANCE UNLESS OTHERWISE SPECIFIED		PROJ.	TITLE: FPC 0.50mm 180° H=4.15mm SMT ZIF	
.x± 0.35	x.*± 2'	APR. C.F. Liao 20150909	PART NO. DS00103XX3XX2	DWG NO. DS00103XX3XX2
.xx± 0.25	.x*± 1'	CHK. Michelle 20150909	UNITS: mm	CUSTOMER DRAWING
.xxx± 0.15	.xx*± 0.5'	DRA. Abel 20150909	SIZE: A4	SCALE 6:1
		SHEET 1 / 2		REV A5 V

1 2 3 4 5 6 7 8

RoHS Compliant

REV	MODIFICATION	DATE	DRAW
A3	Release To ECN20120907	2012.09.14	Michelle
A4	Release To ECN20131205	2013.12.10	Michelle
A5	Release To ECN20150905	2015.09.09	Abel

PIN	DIM.A	DIM.B	DIM.C	DIM.D	PIN	DIM.A	DIM.B	DIM.C	DIM.D
05	7.20	2.00	8.00	3.10	28	18.70	13.50	19.50	14.60
06	7.70	2.50	8.50	3.60	29	19.20	14.00	20.00	15.10
07	8.20	3.00	9.00	4.10	30	19.70	14.50	20.50	15.60
08	8.70	3.50	9.50	4.60	31	20.20	15.00	21.00	16.10
09	9.20	4.00	10.00	5.10	32	20.70	15.50	21.50	16.60
10	9.70	4.50	10.50	5.60	33	21.20	16.00	22.00	17.10
11	10.20	5.00	11.00	6.10	34	21.70	16.50	22.50	17.60
12	10.70	5.50	11.50	6.60	35	22.20	17.00	23.00	18.10
13	11.20	6.00	12.00	7.10	36	22.70	17.50	23.50	18.60
14	11.70	6.50	12.50	7.60	37	23.20	18.00	24.00	19.10
15	12.20	7.00	13.00	8.10	38	23.70	18.50	24.50	19.60
16	12.70	7.50	13.50	8.60	39	24.20	19.00	25.00	20.10
17	13.20	8.00	14.00	9.10	40	24.70	19.50	25.50	20.60
18	13.70	8.50	14.50	9.60	41	25.20	20.00	26.00	21.10
19	14.20	9.00	15.00	10.10	42	25.70	20.50	26.50	21.60
20	14.70	9.50	15.50	10.60	43	26.20	21.00	27.00	22.10
21	15.20	10.00	16.00	11.10	44	26.70	21.50	27.50	22.60
22	15.70	10.50	16.50	11.60	45	27.20	22.00	28.00	23.10
23	16.20	11.00	17.00	12.10	46	27.70	22.50	28.50	23.60
24	16.70	11.50	17.50	12.60	47	28.20	23.00	29.00	24.10
25	17.20	12.00	18.00	13.10	48	28.70	23.50	29.50	24.60
26	17.70	12.50	18.50	13.60	49	29.20	24.00	30.00	25.10
27	18.20	13.00	19.00	14.10	50	29.70	24.50	30.50	25.60



APPLICABLE FFC
TOLERANCE: ± 0.05



TOLERANCE UNLESS OTHERWISE SPECIFIED		PROJ.	TITLE: FPC 0.50mm 180° H=4.15mm SMT ZIF		
.x ± 0.35	.x' ± 2'	APR. C.F. Liao 20150909	PART NO. DS00103XX3XX2	DWG NO. DS00103XX3XX2	
.xx ± 0.25	.x' ± 1'	CHK. Michelle 20150909	UNITS: mm	CUSTOMER DRAWING	
.xxx ± 0.15	.xx' ± 0.5'	DRA. Abel 20150909	SIZE: A4	SCALE: 6:1	SHEET 2 / 2
				REV: A5	V