

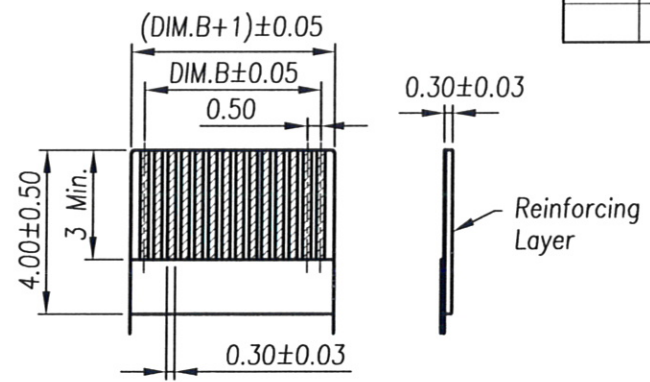
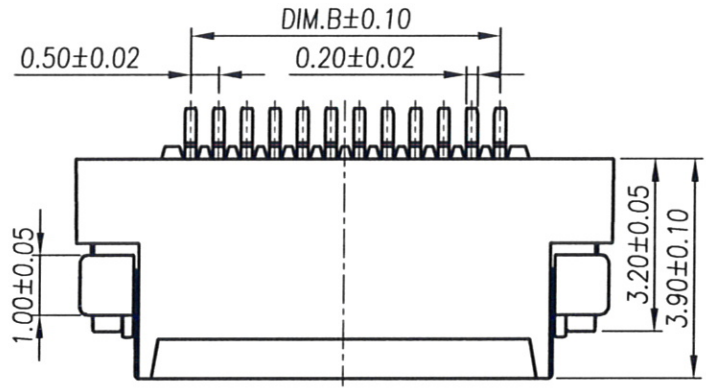
REV	MODIFICATION	DATE	DRAW
A0	Release To MA20130401	2013.04.10	Michelle

RoHS Compliant

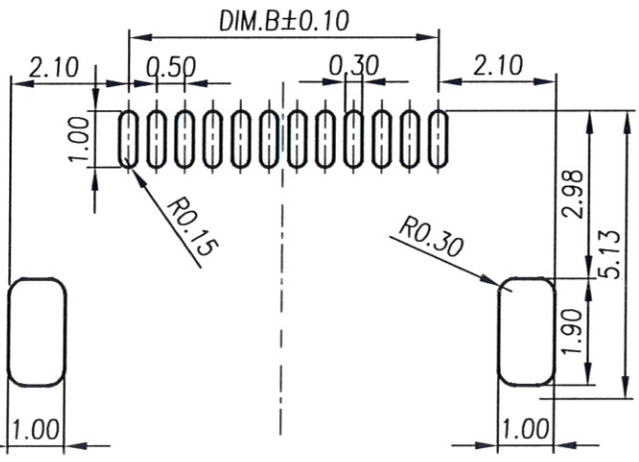
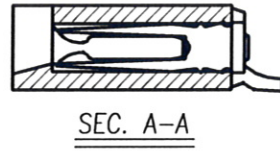
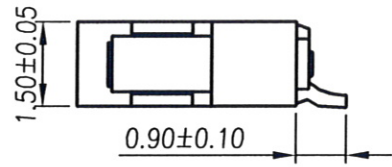
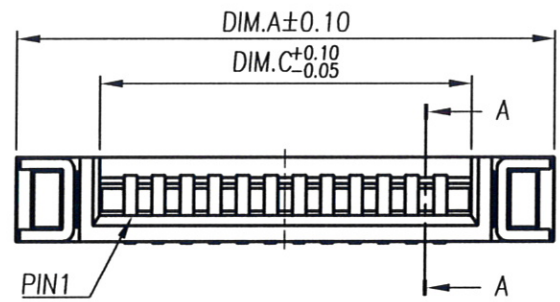
- Specification
- 1.Current Rating:0.4A
 - 2.Voltage Rating:50V
 - 3.Contact Resistance:30mΩ Max.
 - 4.Insulation Resistance:50MΩ Min.
 - 5.Dielectric Withstanding Voltage:250 VAC/Minute
 - 6.Operating Temperature:-55°C~+85°C

- Material:
- 1.Housing:High Temp. Thermoplastic UL94V-0
 - 2.Contact Pin:Copper Alloy T=0.20mm
 - 3.Tab:Copper Alloy T=0.20mm
- Finish:
- 1.Housing:Natural
 - 2.Contact Pin:Matte Tin
 - 3.Tab:Matte Tin

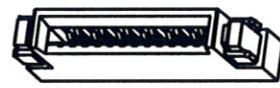
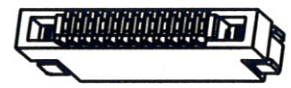
Part No.:FPABM-10002- XX 0 X 2
 Number of Pin _____
 04~60
 Packing _____
 2:Tube
 3:T&R(2500pcs)
 Plating _____
 2:Matte Tin Plated Over Ni.



RECOMMENDED FFC/FPC DIM.



RECOMMENDED PCB LAYOUT
(TOLERANCE±0.05)



TOLERANCE UNLESS OTHERWISE SPECIFIED		PROJ.	TITLE: FPC/FFC CONN. P=0.50mm H=1.50mm NON-ZIF SIDE ENTRY CONTACT SMT			
			APR. Jay 20130410		PART NO. FPABM-10002-XX0X2	
.x± 0.35	x.'± 2'	CHK. Sevn 20130410	DWG NO. FPABM-100-C-01		CUSTOMER DRAWING	
.xx± 0.25	.x'± 1'		UNITS: mm			
.xxx± 0.15	.xx'± 0.5'	DRA. Michelle 20130410	SIZE: A4	SCALE 5:1	SHEET 1 / 2	
			REV AO	V		

A
B
C
D
E
F

A
B
C
D
E
F

1 2 3 4 5 6 7 8



RoHS Compliant

REV	MODIFICATION	DATE	DRAW
A0	Release To MA20130401	2013.04.10	Michelle

PIN	DIM.A	DIM.B	DIM.C	PIN	DIM.A	DIM.B	DIM.C	PIN	DIM.A	DIM.B	DIM.C	PIN	DIM.A	DIM.B	DIM.C
☆04	5.53	1.50	2.57	19	13.03	9.00	10.07	34	20.53	16.50	17.57	49	28.03	24.00	25.07
☆05	6.03	2.00	3.07	☆20	13.53	9.50	10.57	35	21.03	17.00	18.07	50	28.53	24.50	25.57
☆06	6.53	2.50	3.57	☆21	14.03	10.00	11.07	36	21.53	17.50	18.57	51	29.03	25.00	26.07
☆07	7.03	3.00	4.07	☆22	14.53	10.50	11.57	37	22.03	18.00	19.07	52	29.53	25.50	26.57
☆08	7.53	3.50	4.57	23	15.03	11.00	12.07	38	22.53	18.50	19.57	53	30.03	26.00	27.07
☆09	8.03	4.00	5.07	24	15.53	11.50	12.57	39	23.03	19.00	20.07	☆54	30.53	26.50	27.57
☆10	8.53	4.50	5.57	☆25	16.03	12.00	13.07	☆40	23.53	19.50	20.57	55	31.03	27.00	28.07
☆11	9.03	5.00	6.07	☆26	16.53	12.50	13.57	41	24.03	20.00	21.07	56	31.53	27.50	28.57
☆12	9.53	5.50	6.57	27	17.03	13.00	14.07	42	24.53	20.50	21.57	57	32.03	28.00	29.07
☆13	10.03	6.00	7.07	28	17.53	13.50	14.57	43	25.03	21.00	22.07	59	32.53	28.50	29.57
☆14	10.53	6.50	7.57	29	18.03	14.00	15.07	44	25.53	21.50	22.57	59	33.03	29.00	30.07
☆15	11.03	7.00	8.07	☆30	18.53	14.50	15.57	45	26.03	22.00	23.07	☆60	33.53	29.50	30.57
☆16	11.53	7.50	8.57	31	19.03	15.00	16.07	46	26.53	22.50	23.57	/			
17	12.03	8.00	9.07	32	19.53	15.50	16.57	47	27.03	23.00	24.00				
☆18	12.53	8.50	9.57	33	20.03	16.00	17.07	48	27.53	23.50	24.57				

☆: Can Produce Pin



 金上達科技股份有限公司 GOLDENSUNDA TECHNOLOGY CO.,LTD		TITLE: FPC/FFC CONN. P=0.50mm H=1.50mm NON-ZIF SIDE ENTRY CONTACT SMT			
		TOLERANCE UNLESS OTHERWISE SPECIFIED .x± 0.35 x'± 2'		PROJ. 	
.xx± 0.25 .x'± 1'		APR. Jay 20130410		UNITS: mm CUSTOMER DRAWING	
.xxx± 0.15 .xx'± 0.5'		CHK. Seven 20130410 DRA. Michelle 20130410		SIZE: A4 SCALE 5:1 SHEET 2 / 2 REV A0 V	