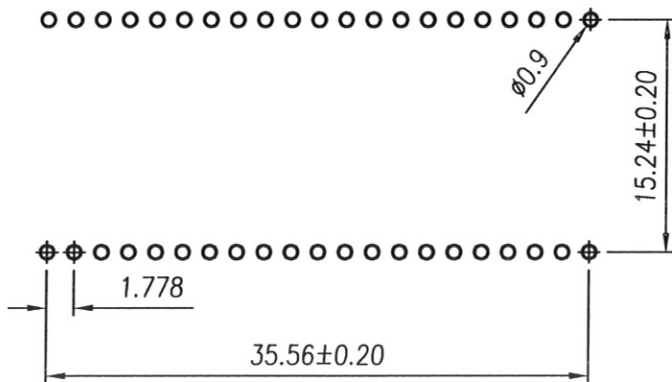
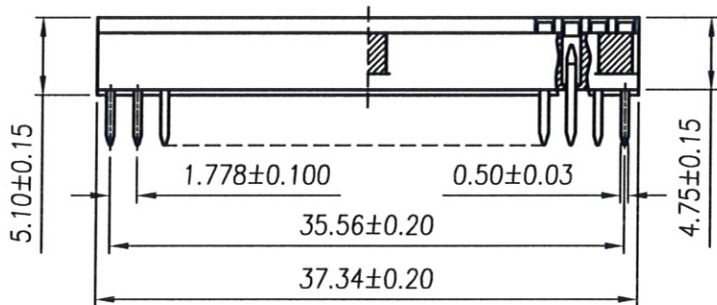
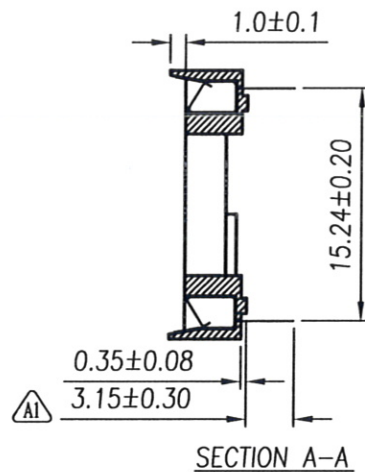
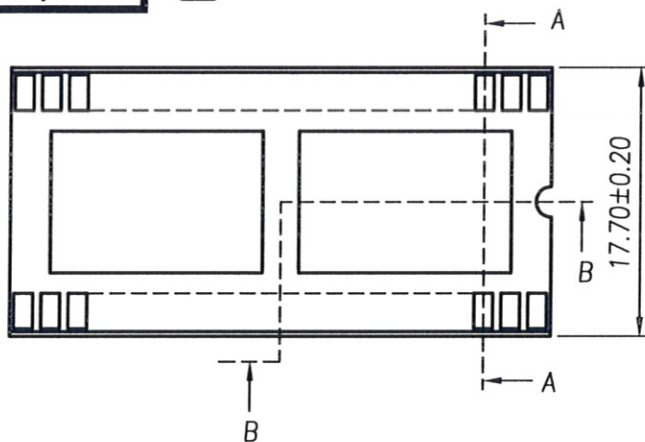


RoHS Compliant



REV	MODIFICATION	DATE	DRAW
A0	Release To Production	2010.06.09	AJ
A1	Release To ECN20130506	2013.05.27	Michelle

Specification

- Current Rating: 1A
- Contact Resistance: 20mΩ Max. (Initial)
30mΩ Max. (After)
- Insulation Resistance: 5000MΩ Min
- Dielectric Withstanding Voltage: 1000VAC/Minute
- Operating Temperature: -55°C ~ +85°C


Material:

- Housing: Thermoplastic UL94V-0
 - Contact Pin: Copper Alloy T=0.17mm
- Finish:
- Housing: Black
 - Contact Pin: Tin Plated Over Cu.

Part No.: ED02500 42 8 1 T 0

Number Of Pin: 42
Packing: T: Tube
Housing Material: 8: PBT UL94V-0 Black
Plating: 1: Bright Tin Plated Over Cu.





金上達科技股份有限公司

GOLDENSUND TECHNOLOGY CO., LTD

TOLERANCE UNLESS OTHERWISE SPECIFIED		PROJ.	TITLE: IC Socket 1.778mm 180° DIP One Bar	
.x± 0.35	x: ± 2'	APR. Jay 20130527	PART NO. ED025004281T0	DWG NO. ED025004281T0
.xx± 0.25	.x: ± 1'	CHK. Seven 20130527	CUSTOMER DRAWING	
.xxx± 0.15	.xx: ± 0.5'	DRA. Michelle 20130527	UNITS: mm	SIZE: A4
		SCALE 5:1	SHEET 1 / 1	REV A1