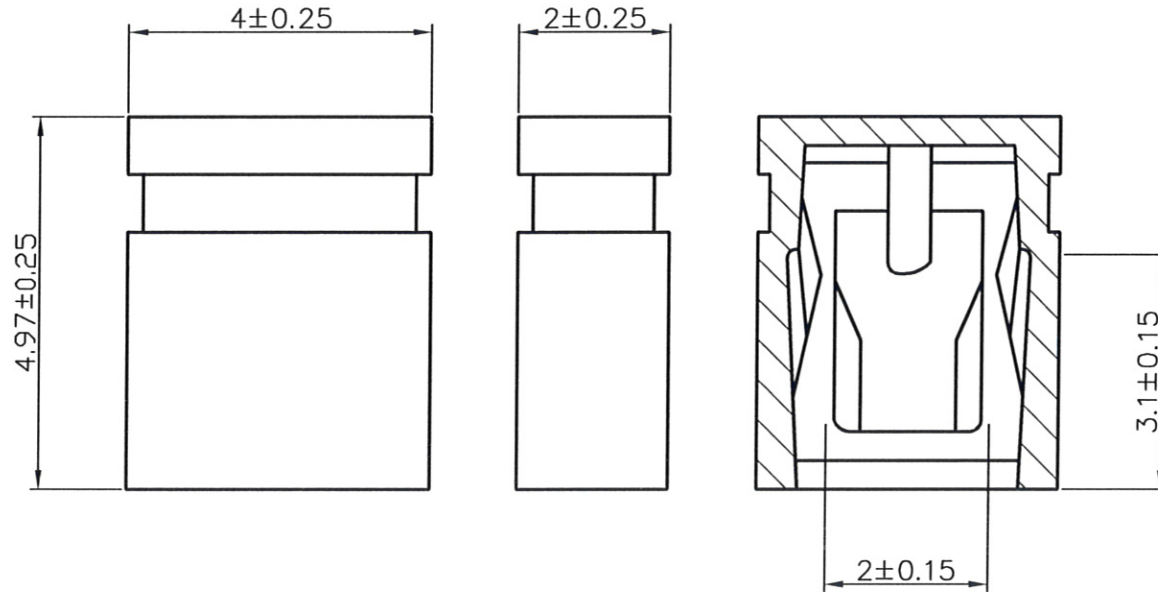


REV	DESCRIPTION	DATE	NAME
A/0	Release To Production	2010.03.15	AJ



**Specification**

- 1.Current Rating:1A AC/DC
- 2.Voltage Rating:500V AC/DC
- 3.Contact Resistance:30mΩ Maximum
- 4.Insulation Resistance:1000MΩ Minimum At DC 500V
- 5.Dielectric Withstanding Voltage:AC 650V/Minute
- 6.Operating Temperature: -40°C~+105°C

**Material:**


- 1.Insulator:PBT UL94V-0
- 2.Contact:Phosphor Bronze  $t=0.2$

**Finish:**

- 1.Insulator: Black
- 2.Contact: Gold Flash

註：此產品原料均為RoHS材料



TOLERANCE		NAME	DATE	 <b>金上達科技股份有限公司</b> <b>SUNDA TECHNOLOGY CO., LTD.</b>
X.	$\pm 0.35$			
X.X	$\pm 0.25$	DRAWING 繪圖	AJ	2010.03.15
X.XX	$\pm 0.15$	CHECKED 審查	Abel	2010.03.15
X.XXX	$\pm 0.05$	APPROVE 核准	Jefferson	2010.03.15
ANGULA	$\pm 3^\circ$			
UNLESS OTHERWISE SPECIFIED		UNITS: mm	SCALE: Free	SIZE: A4
				TITLE / 品名: <b>Mini Jumper 2.0mm 2Pin H=5.0mm Close</b> <b>Black 鍍金袋裝</b>
				PART NO. 料號 <b>IBE01020243BG</b>
				1/1