

REV	DESCRIPTION	DATE	NAME
A/0	Refer To FAI-20110153	2011.01.19	IVY

Specification

- 1.Current Rating:1A Max.
- 2.Contact Resistance:30mΩ Max.
- 3.Insulation Resistance:1000MΩ Minimum
- 4.Dielectric Withstanding Voltage:AC 550 volts RMS at sea level

Material:

- 1.Housing: Thermoplastic Halogen Free UL94V-0
- 2.Contact Pin:Copper Alloy

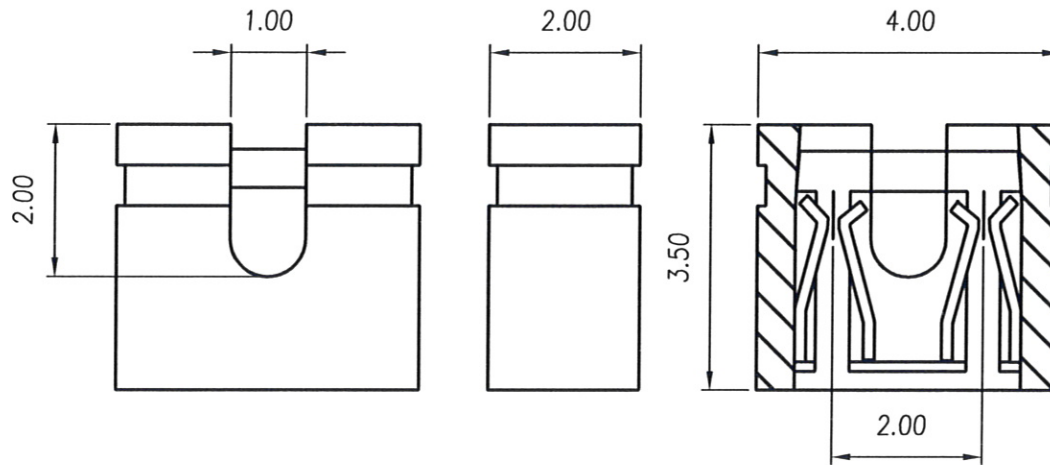
Finish:

- 1.Housing: BLACK
- 2.Contact Pin: Gold Flash Over Nickel


ORDER INFORMATION PART NUMBER:

IAE0302 02 B X X G

- Packing B:BAG
- Palating
- 3:Gold Flash Over Nickel
- Number of Contacts 02



RoHS Compliant

TOLERANCE		NAME	DATE	 金上達科技股份有限公司 SUNDA TECHNOLOGY CO., LTD. TITLE / 品名: Mini Jumper 2.0mm 2P OPEN H=3.5mm			
X.	±0.35	DRAWING 繪圖	IVY		2011.01.19		
X.X	±0.25	CHECKED 審查	SEVEN		2011.01.19		
X.XX	±0.15	APPROVE 核准	JAY		2011.01.19		
X.XXX	±0.05	UNITS: mm	SCALE: Free		SIZE: A4		
ANGULA	±3°				PART NO. 料號	IAE030202BXXG	1/1
UNLESS OTHERWISE SPECIFIED							