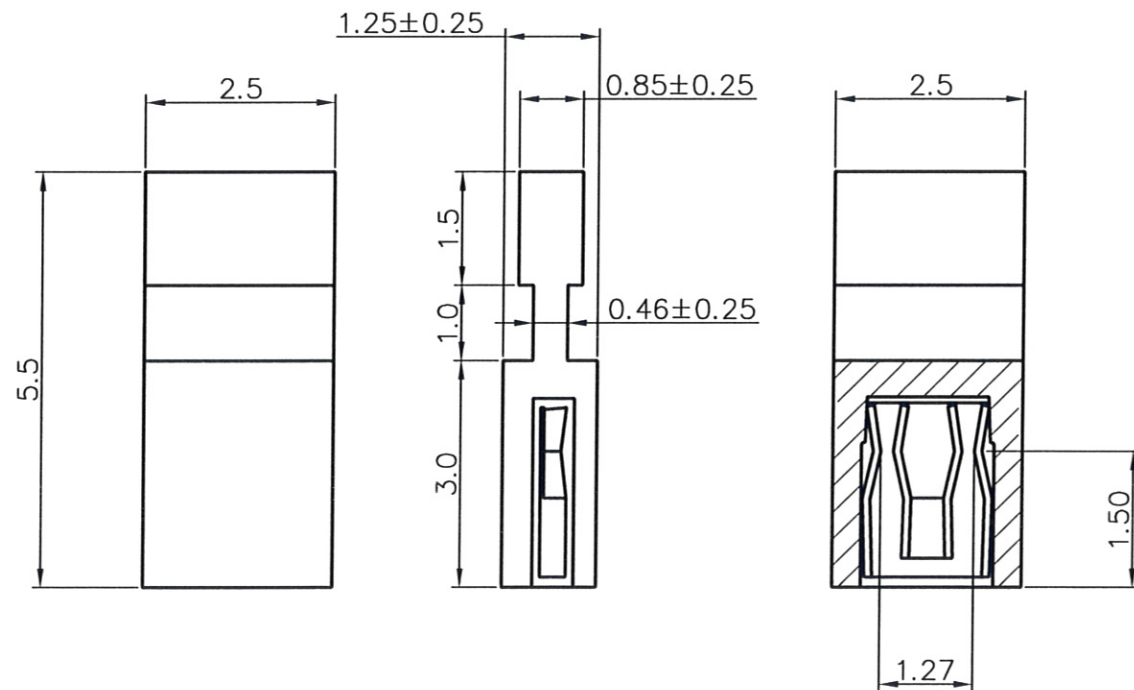


REV	DESCRIPTION	DATE	NAME
A/0	Release To Production	2010.03.19	AJ



**Specification**

1. Current Rating: 1A AC/DC
2. Voltage Rating: 500V AC/DC
3. Contact Resistance: 30mΩ Maximum
4. Insulation Resistance: 1000MΩ Minimum At DC 500V
5. Dielectric Withstanding Voltage: AC 650Volts RMS at sea level
6. Operating Temperature: -40°C~+105°C

**Material:**

1. Insulator: Nylon 66+30%GF UL94V-0
2. Contact: Phosphor Bronze t=0.2

**Finish:**

1. Insulator: Black
2. Contact: Gold Flash

註：此產品原料均為RoHS材料



TOLERANCE		DRAWING 繪圖	NAME AJ	DATE 2010.03.19	TITLE / 品名: Mini Jumper 1.27mm 2Pin H=5.5mm Black Close 鍍金袋裝
X.	±0.35				
X.X	±0.25				
X.XX	±0.15				
X.XXX	±0.05				
ANGULA ±3°		CHECKED 審查	Abel	2010.03.19	
UNLESS OTHERWISE SPECIFIED		APPROVE 核准	Jefferson	2010.03.19	
UNITS: mm	SCALE: Free	SIZE: A4	PART NO. 料號 IBE02020203BG		



金上達科技股份有限公司  
SUNDA TECHNOLOGY CO., LTD.