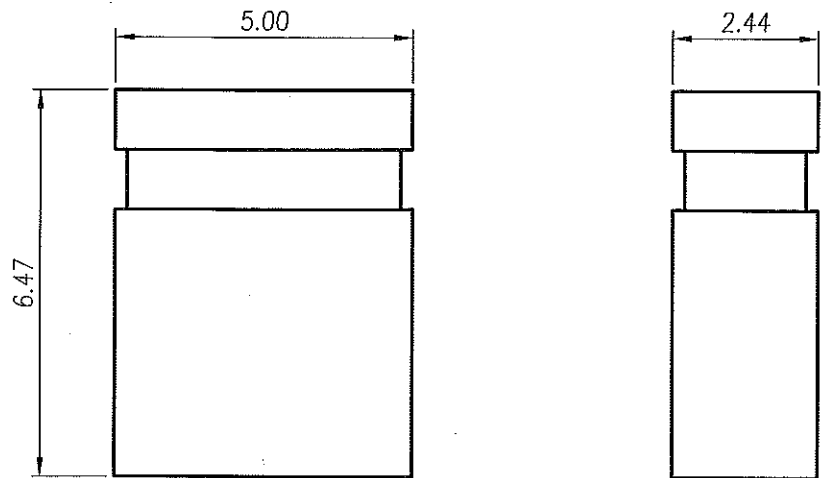


AI

REV	MODIFICATION	DATE	DRAW
A0	Release To Production	2010.10.22	IVY
A1	Release To ECN20160202	20160218	Michelle

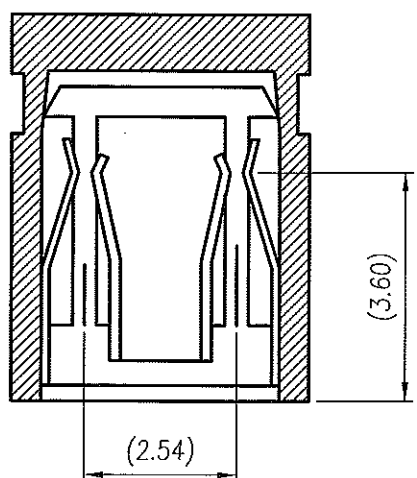
**RoHS Compliant**




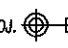
Specification  
 1.Current Rating:3A Max.  
 2.Contact Resistance:30mΩ Max.  
 3.Insulation Resistance:1000MΩ Min.  
 4.Dielectric Withstanding Voltage:AC650V/Minute  
 5.Operating Temperatue:-25°C~+85°C  
 Material:

1.Housing:Thermoplastic UL94V-0  
 2.Contact Pin:Copper Alloy T=0.25mm  
 Finish:  
 1.Housing:Black  
 2.Contact Pin:See P/N Option  
 Part No.: IBE0402 02 4 3 B G

No. Of Pin: 02  
 Packing: B:Bag  
 Housing Material: 4:PBT UL94V-0 Black  
 Plating: 3:Gold Flash Over Nickel



發行  
 105. 2. 18  
 文管中心

 <b>金上達科技股份有限公司</b> <b>GOLDENSUND TECHNOLOGY CO.,LTD</b>		TITLE: Mini Jumper 2.54mm 2Pin H=6.47mm Close Type			
		PART NO. IBE04020243BG		DWG NO. IBE04020243BG	
TOLERANCE UNLESS OTHERWISE SPECIFIED		PROJ. 		UNITS: mm	
.X± 0.35	X.± 2'	APR. C.F.Liao 20160218		CUSTOMER DRAWING	
.XX± 0.25	.X± 1'	CHK. Abel 20160218		SIZE: A4	SCALE 8:1
.XXX± 0.15	.XX± 0.5'	DRA. Michelle 20160218		SHEET 1 / 1	REV A1 V