

RoHS Compliant

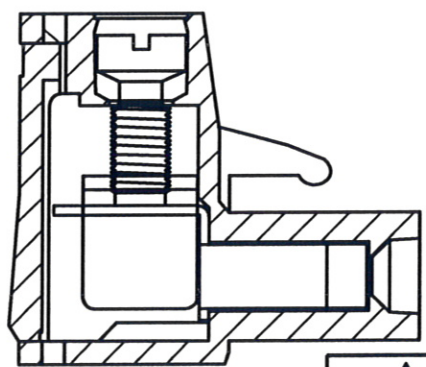
REV	MODIFICATION	DATE	DRAW
A0	Release To MA20130911	2013.09.25	Seven

- Specification
- 1.Current Rating:12A
 - 2.Voltage Rating:250V AC
 - 3.Insulation Resistance:1000MΩ Min At DC500V
 - 4.Dielectric Withstanding Voltage:2000VAC/Minute
 - 5.Operation Temperature:-55°C~+115°C

- Material:
- 1.Housing:Thermoplastic UL94V-0
 - 2.Contact Pin:Copper Alloy SQ=1.0mm
 - 3.Screw:Steel
 - 4.Wire Clamp:Copper Alloy

- Finish:
- 1.Housing:Green
 - 2.Contact Pin:Tin Plated
 - 3.Screw:Nickel Plated
 - 4.Wire Clamp:Tin Plated

Part No.: TBAAF-21001- XX 1 4 1
 No. Of Pin _____ Plating
 02~24P _____
 Packing _____
 4:Bag
 1:Bright Tin Plated Over Nickel



金上達科技股份有限公司
GOLDENSUNDA TECHNOLOGY CO.,LTD

TOLERANCE UNLESS OTHERWISE SPECIFIED		PROJ.	TITLE: Terminal Block Female 5.08mm 90° DIP Pluggable Type	
.x± 0.35	x.'± 2'	APR. Jay 20130925	PART NO. TBAAF-21001-XX141	DWG NO. TBAAF-210-C-01
.xx± 0.25	.x'± 1'	CHK. Michelle 20130925	UNITS: mm	CUSTOMER DRAWING
.xxx± 0.15	.xx'± 0.5'	DRA. Seven 20130925	SIZE: A4	
		SHEET 1 / 1		REV A0

A
B
C
D
E
F

A
B
C
D
E
F

1 2 3 4 5 6 7 8