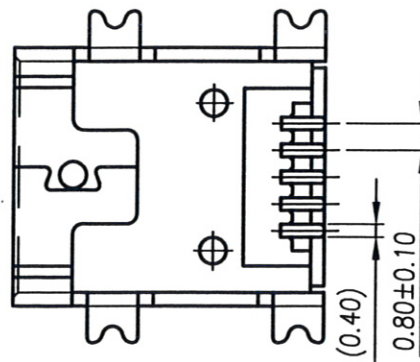
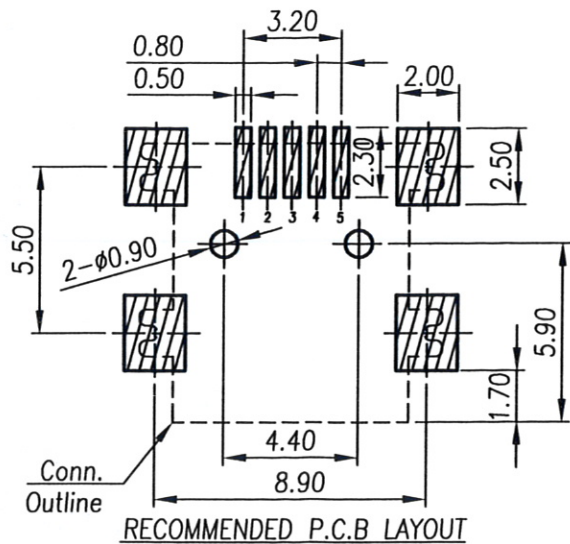
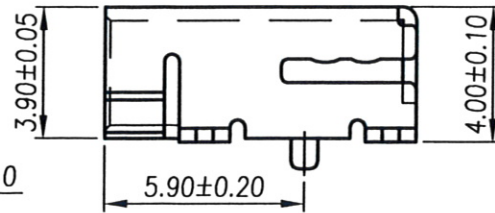
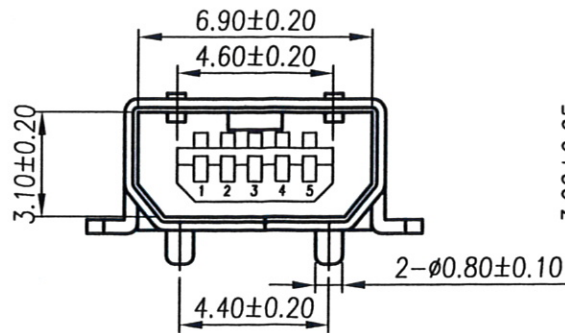
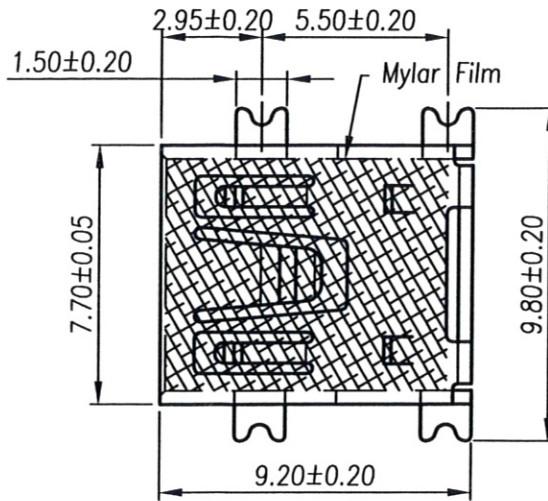


RoHS Compliant



| REV | MODIFICATION | DATE | DRAW |
|-----|------------------------|------------|----------|
| A0 | Release To MA20130315 | 2013.03.15 | Seven |
| A1 | Release To ECN20150405 | 2015.04.15 | Michelle |

Specification

- 1.Current Rating:1A
- 2.Voltage Rating:30V DC
- 3.Contact Resistance:50mΩ Max.
- 4.Insulation Resistance:100MΩ Min.
- 5.Dielectric Withstanding Voltage:AC300V/Minute
- 6.Operating Temperature:-25°C~+105°C

Material:

- 1.Housing:High Temperature Thermoplastic UL94V-0
- 2.Contact Pin:Copper Alloy T=0.20mm
- 3.Shell:SPCC T=0.40mm
- 4.Mylar Film:Polyester

Finish:


- 1.Housing:Black
- 2.Contact Pin:See P/N Option
- 3.Shell:Nickel Plated
- 4.Mylar Film:Yellow

Part No.:UBAAF-41330-05 0 3 4

No. of Pin
05


Packing
3:T&R(500pcs)

Plating
4:Gold Flash On Contact Area. Sn Plated On Solder Tails Area.Nickel Under Plated



金上達科技股份有限公司

GOLDENSUNDA TECHNOLOGY CO.,LTD

| | | | | | |
|--------------------------------------|------------|---|---|---------------------------|------------------|
| TOLERANCE UNLESS OTHERWISE SPECIFIED | | PROJ.  | TITLE: Mini USB Female 5Pin SMT AB Type | | |
| .x± 0.35 | x.'± 2' | APR. C.F.Liao 20150415 | PART NO. UBAAF-41330-05034 | DWG NO. UBAAF-413-C-01 | |
| .xx± 0.25 | .x'± 1' | CHK. Abel 20150415 | UNITS: mm | | CUSTOMER DRAWING |
| .xxx± 0.15 | .xx'± 0.5' | DRA. Michelle 20150415 | SIZE: A4 | SCALE 4:1 | SHEET 1 / 1 |
| | | | REV A1 | V | |