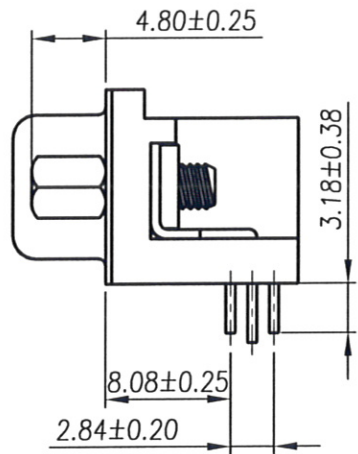
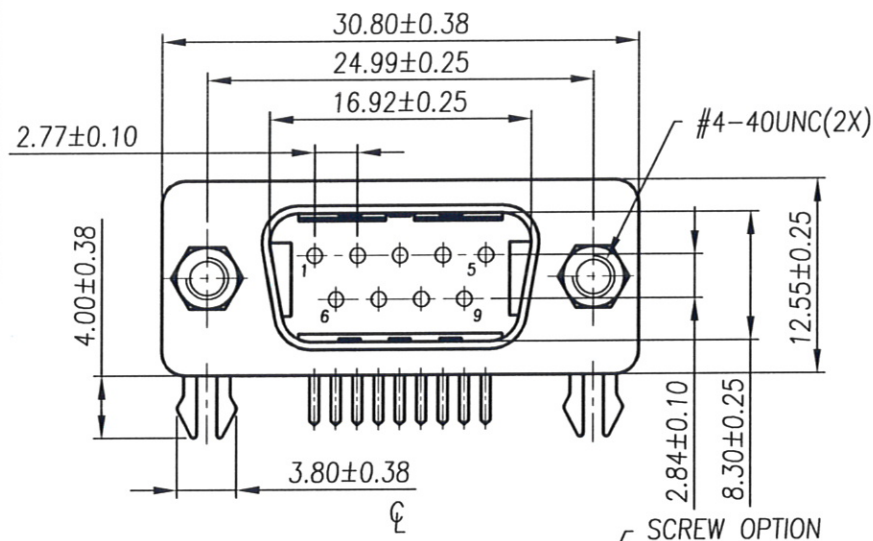


REV	DESCRIPTION	DATE	NAME
A0	Release To Production	2009.09.04	ABEL
A1	Release To ECN20110404	2011.04.08	Seven
A2	Release To ECN20111013	2011.10.24	IVY



Specification

- 1.Current Rating:2A AC/DC
- 2.Voltage Rating:250V AC/DC
- 3.Contact Resistance:20mΩ Maximum
- 4.Insulation Resistance:1000MΩ Minimum At DC 500V
- 5.Dielectric Withstanding Voltage:AC 500V/Minute
- 6.Operating Temperature:-55°C~+105°C

Material:

- 1.Housing:Thermoplastic UL94V-0
- 2.Contact Pin:Copper Alloy
- 3.Shell:SPCC
- 4.Board Lock:SPCC
- 5.SCREW:SPCC

Finish:

- 1.Housing:Black
- 2.Contact Pin:See P/N Option
- 3.Shell:Nickel Plated
- 4.Board Lock:Tin Plated
- 5.Screw:Nickel Plated



Part No.: FDA XX 0109 4 X Y 9

- Series \_\_\_\_\_
- 02:WITHOUT SCREW (Plug)
  - 06:WITH SCREW (Plug)

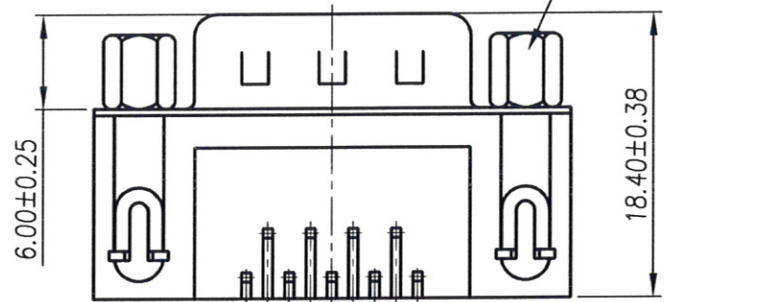
Packing  
Y:TRAY

Plating

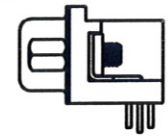
- 3:Gold Flash Over Nickel
- 4:Select Gold On Contact Area.  
Sn Plated On Solder tails.

Housing Material \_\_\_\_\_

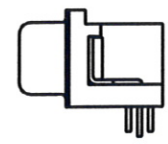
- 4:PBT UL94V-0 BLACK



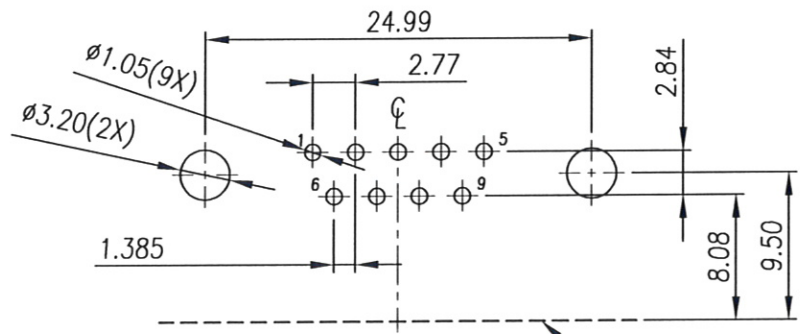
P/N:FDA0601094XY9



P/N:FDA0201094XY9



W/SCREW & W/O SCREW OPTION  
(SCALE 1:2)



PCB LAYOUT

PCB EDEG

RoHS Compliant

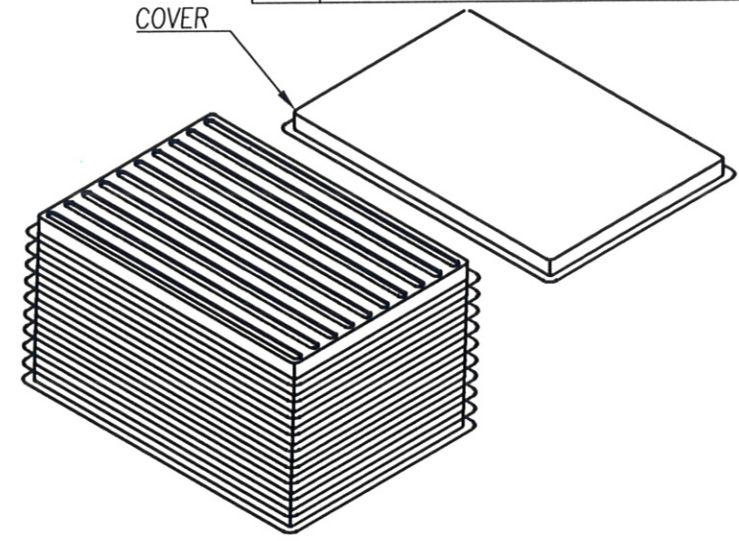
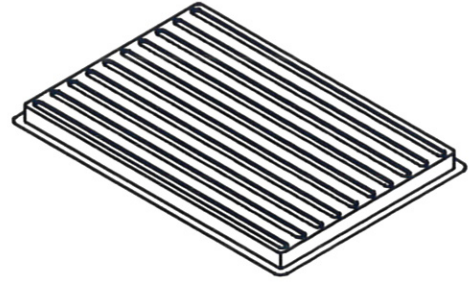
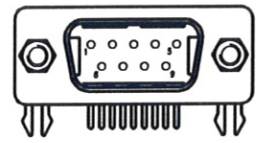
TOLERANCE		NAME	DATE
X.	±0.35		
X.X	±0.25	DRAWING 繪圖	Ivy 2011.10.24
X.XX	±0.15	CHECKED 審查	Seven 2011.10.24
X.XXX	±0.05	APPROVE 核准	JAY 2011.10.24
ANGULA	±3°		
UNLESS OTHERWISE SPECIFIED		UNITS: mm	SCALE: 2:1
		SIZE: A4	

金上達科技股份有限公司  
SUNDA TECHNOLOGY CO., LTD.

TITLE/品名: D-SUB Plug 90° 9PIN DIP

PART NO. 料號 FDAXX01094XY9 1/2

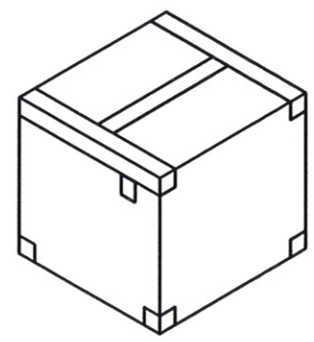
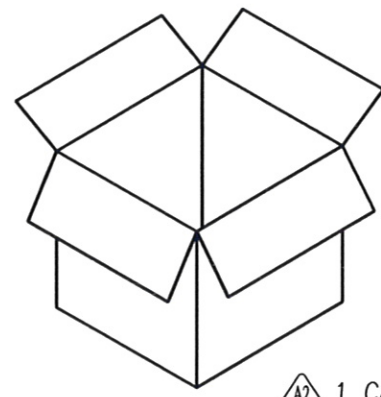
REV	DESCRIPTION	DATE	NAME
A0	Release To Production	2009.09.04	ABEL
A1	Release To ECN20110404	2011.04.08	Seven
A2	Release To ECN20111013	2011.10.24	IVY



COVER

1 TRAY=100PCS

$\triangle A2$  PUT ONE COVER ON THE 10 PRODUCT TRAY



CLOSE CARTON WITH TAPE.


$\triangle A2$  1 CARTON=10 TRAY=1000PCS

RoHS Compliant

TOLERANCE	
X.	$\pm 0.35$
X.X	$\pm 0.25$
X.XX	$\pm 0.15$
X.XXX	$\pm 0.05$
ANGULA	$\pm 3^\circ$

UNLESS OTHERWISE SPECIFIED

	NAME	DATE
DRAWING 繪圖	Ivy	2011.10.24
CHECKED 審查	Seven	2011.10.24
APPROVE 核准	JAY	2011.10.24


**金上達科技股份有限公司**  
**SUNDA TECHNOLOGY CO., LTD.**  
 TITLE/品名:  
 D-SUB Plug 90° 9PIN DIP  
 PART NO. / 料號: FDAXX01094XY9  
 2/2